

# DLT-M8110

## Detachable, Rugged, X86-Based Vehicle-Mounted Terminal



### Features

- 10.4" XGA display with P-CAP or resistive touchscreen
- Intel® Atom™ E3827 dual-core, 1.75 GHz, processor
- 4 x programmable dual-function keys
- Hot-swappable battery pack that supports up to 8 hours operation
- Built-in camera, 2D barcode scanner, and Wi-Fi technology
- Fully rugged terminal with MIL-STD-810F and IP65 certification

### Introduction

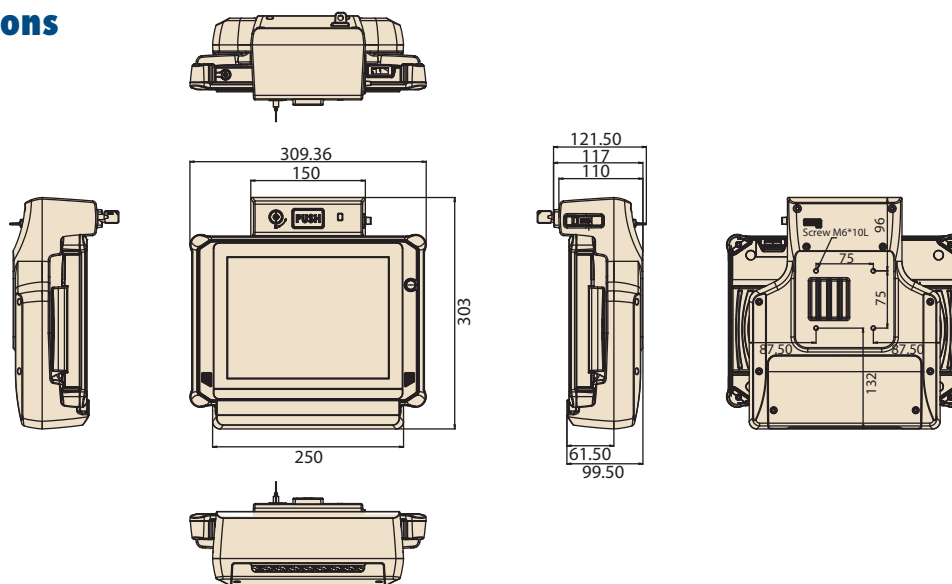
DLT-M8110 is a fully rugged detachable vehicle-mounted terminal designed to satisfy warehouse requirements. Powered by an Intel® Atom™ E3827 processor with 4 GB of DDR3L memory, DLT-M8110 features integrated Wi-Fi technology for logistics operations, Bluetooth 4.0 for connecting peripheral devices, and a built-in camera and 2D barcode scanner for data collection. The inclusion of an external hot-swappable battery that supports up to 8 hours of off-vehicle operation ensures convenient long-duration usage. Finally, DLT-M8110 is 5M3 and MIL-STD-810F certified for shock and vibration tolerance as well as IP65 rated for protection from dust and water ingress, making it ideal for industrial warehouse applications.

### Specifications

System	CPU	Intel® Atom™ E3827 dual-core, 1.75 GHz
	Storage	1 x SODIMM, DDR3L-1067, 4 GB 1 x mSATA SSD with 32/128 GB
Housing		Completely sealed, fanless design with hardened polypropylene coating
Dimensions (W x H x D)	Terminal w/o Handstrap	309.36 x 221 x 31.8 mm (12.18 x 8.70 x 1.25 in)
Weight		1.3 kg (2.86 lb)
Display	Type	10.4" XGA (1024 x 768), 4:3 format, with optional P-CAP or resistive touch
	Touchscreen	Optional P-CAP or resistive touch
	Brightness	400 cd/m <sup>2</sup> typical
Control Buttons	Front Panel	7 x control buttons (4 x programmable dual-function keys plus 1 x Scan, 1 x Power, 1 x Shift function button)
Software	Operating System	Windows Embedded 8 Standard, Windows Embedded 8.1 Industry Pro, Windows Embedded Standard 7, Windows 7 Pro (64 bit), Windows 10 IoT
Communication	Wi-Fi (Terminal)	WLAN IEEE 802.11 a/b/g/n integrated, dual-band diversity
	WPAN	Bluetooth 4.0
Camera		5-megapixel CMOS camera with auto-focus
Scan Functionality		1D/2D barcode scanner
Audio		2 x integrated speakers
Interfaces	USB	1 x USB 3.0 (underneath battery pack)
		1 x SMA antenna (rear) for Wi-Fi passthrough (terminal to antenna)
		1 x Pogo pins (Positioned on the button) for electrical docking/undocking interface
Power Supply		1 x DC-In underneath battery pack (12 V <sub>DC</sub> )
		Slim hot-swappable battery pack supports 2.5 hours operation Optional large hot-swappable battery pack supports 8 hours operation
Environmental	IP Rating	IP65
	Operating Temperature	-20 ~ 50 °C (-22 ~ 122 °F)
	Relative Humidity	10 ~ 90% at 40 °C (104 °F), non-condensing
	Shock/Vibration	5M3 (DIN EN 60721-3-5) and MIL-STD 810F (US highway truck vibration exposure)
Certifications		CE/FCC Class B, UL/cUL, JATE

## Dimensions

Unit: mm



## Specifications of Vehicle Docking Station

Housing/Mechanical	Dimensions (W x H x D)	250 x 303 x 121.5 mm (9.84 x 11.92 x 4.78 in)
	Weight	2.3 kg (5.07 lb)
	Material	Magnesium aluminum alloy with hardened polypropylene coating
	Lock Protection	Standard key lock for terminal (no customization); advanced anti-theft protection with optional padlock
Communication	Wi-Fi	External antenna through RSMA connector
Interfaces (Vehicle Docking Station)	LAN	1 x RJ45
	USB	3 x USB 2.0 (Hi-Speed™)
	Serial	2 x RS-232
	Power	1 x DC-In (12/24/48 V nominally)/DC-Out to terminal (12 V)
	Wi-Fi Passthrough	1 x SMA antenna (rear) for Wi-Fi passthrough (terminal to antenna)
Power Supply	Electrical	Pogo pins for electrical docking/undocking interface
		12/24/48 V nominally (9 ~ 60 V <sub>DC</sub> max.) integrated
Environmental	IP Rating	IP54
	Operating Temperature	-20 ~ 50 °C (-22 ~ 122 °F)
	Relative Humidity	10 ~ 90% at 40 °C (104 °F), non-condensing
Certifications	Shock/Vibration	5M3 (DIN EN 60721-3-5) and MIL-STD 810F (US highway truck vibration exposure)
		CE/FCC Class B, UL/cUL, JATE

## Ordering Information

Part Number	Description	CPU	Memory	Storage	Wi-Fi	BT	GPS	3G	OS	OS language
DLM8110-7R31E0W0E	DLT-M8110 Resist/4GB RAM/32GB mSATA/WiFi/WE8S	Intel Atom E3827 Dual Core 1.75GHz	4GB	32GB	V	V	X	X	WE8S	English, German, Chinese simpl.
DLM8110-7P31E0W0E	DLT-M8110 PCAP/4GB RAM/32GB mSATA/WiFi/WE8S	Intel Atom E3827 Dual Core 1.75GHz	4GB	32GB	V	V	X	X	WE8S	English, German, Chinese simpl.

Further configurations on request!

## Packing List

- Power Cable VDC 3m

## Mount Kit Options

Part Number	Description
DLT-M8110-MOUNT0E	Mount kits (all)
DLT-M8110-BKTVEH0E	Vehicle Base
DLT-M8110-BKTKB0E	IR Keyboard
DLT-M8110-BKTFKB0E	Front Keyboard
DLT-M8110-BKTBAR0E	Barcode 1
TBC	Barcode 2



## Optional Accessories

Part Number	Description
DL-CCAPW69000310	Power cord EU, 110/220 VAC, 2.5 m
DL-CCAPW69000500	Power cord US, 110/220 VAC, 2.0 m
DL-CCAPW69001900	Power cord GB, 110/220 VAC, 2.5m
DLT-M8110-VDOCK00E	Vehicle docking of DLT-M8110
DL-CMEMT70129800	RAM-Mount Set short 2.25" 1 Arm 130mm
DL-CMEMT70129700	RAM-Mount Set long Arm 215mm
DLT-M8110-OFCK00E	Desk docking station
DLT-M8110-MCHARG0E	4 x battery charger
DLT-M8110-BBATT00E	Large-sized batteries
DLT-M8110-SBATT00E	Slim-sized batteries
DLT-M8110-MOUNT0E	Mount kits
DL-WFAK70277200	External antenna
DLT-M8110-SSTRAPOE	Shoulder Strap
DLT-M8110-HSTRAPOE	Hand strap

Further configurations on request!