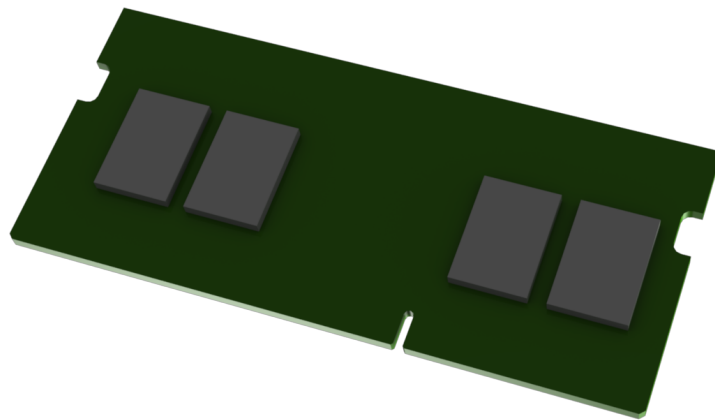


Kit Instructions

4GB Memory Upgrade



7701-K134
Issue B



The product described in this document is a licensed product of NCR Corporation.

NCR is a registered trademark of NCR Corporation. Product names mentioned in this publication may be trademarks or registered trademarks of their respective companies and are hereby acknowledged.

Where creation of derivative works, modifications or copies of this NCR copyrighted documentation is permitted under the terms and conditions of an agreement you have with NCR, NCR's copyright notice must be included.

It is the policy of NCR Corporation (NCR) to improve products as new technology, components, software, and firmware become available. NCR, therefore, reserves the right to change specifications without prior notice.

All features, functions, and operations described herein may not be marketed by NCR in all parts of the world. In some instances, photographs are of equipment prototypes. Therefore, before using this document, consult with your NCR representative or NCR office for information that is applicable and current.

To maintain the quality of our publications, we need your comments on the accuracy, clarity, organization, and value of this book. Please use the link below to send your comments.

Email: FD230036@ncr.com

Copyright © 2017–2019
By NCR Corporation
Global Headquarters
864 Spring St NW
Atlanta, GA 30308
U.S.A.
All Rights Reserved

Revision Record

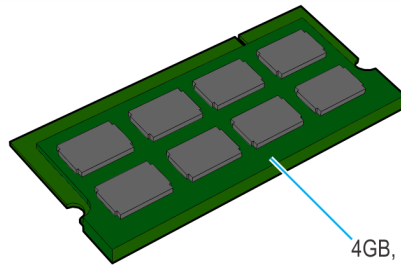
Issue	Date	Remarks
A	Feb 2017	First Issue
B	Nov 2019	Added CX5 (7773)

4GB Memory Upgrade

This kit provides a memory upgrade for the following POS:

- NCR XR3 POS (7613)
- NCR XR4 POS (7602)
- NCR XR5 POS (7701)
- CX5 All-in-One POS (7773)

Kit Contents



4GB, 1600MHz, DDR3L-1600, 512Mx64 SODIMM
497-0505658

33316



Warning: Disconnect the AC power cord before disassembling the Terminal.

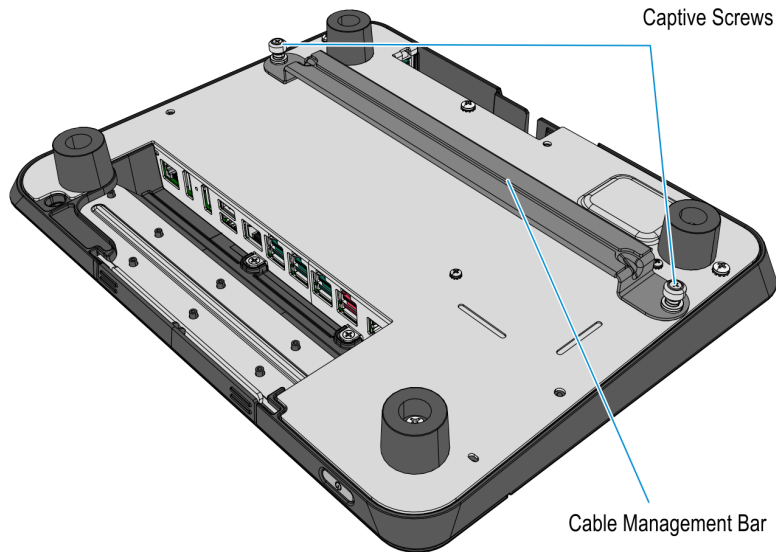


Caution: Static Electricity Discharge may permanently damage your system. Discharge any static electricity build up in your body by touching your computer's case for a few seconds. Avoid any contact with internal parts and handle cards only by their external edges.

Installation Procedure

XR3 POS (7613) / XR4 POS (7602)

1. Open the Base. If a Cable Management Bar is present, loosen the captive screws (2) and remove the Bar.

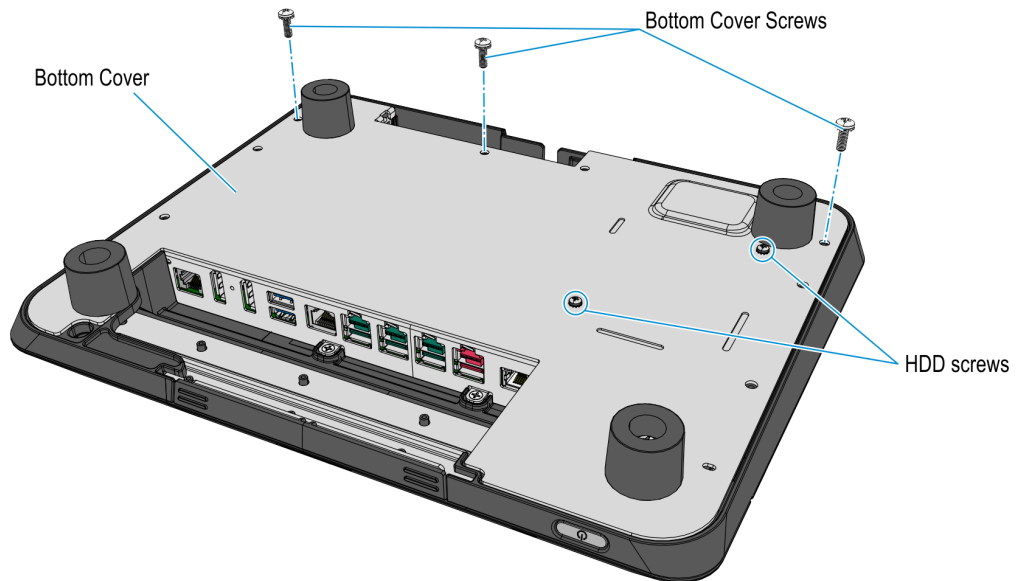


CCP-70238

2. Remove the screws (3) securing the Bottom Cover.

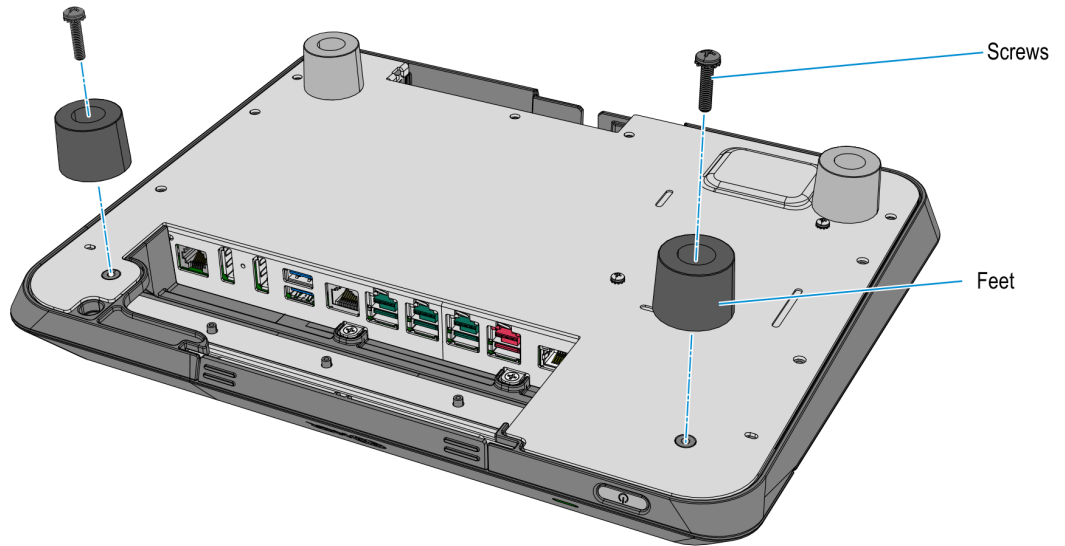


Note: An HDD storage media may be installed on the Bottom Cover, do not remove the HDD screws while the Cover is still mounted on the Base.



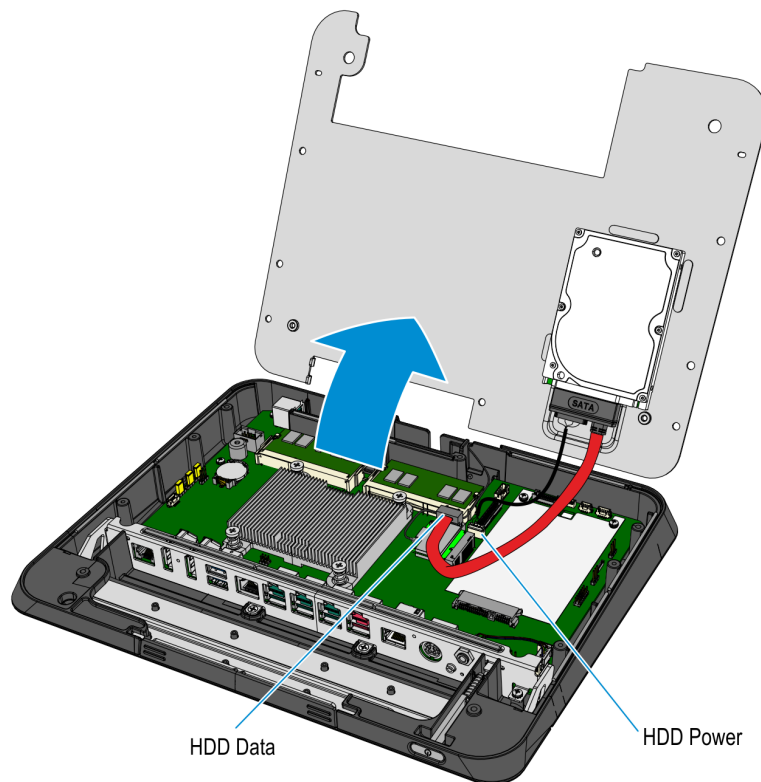
CCP-70239

3. Remove the front Rubber Feet (2) from the Cover.



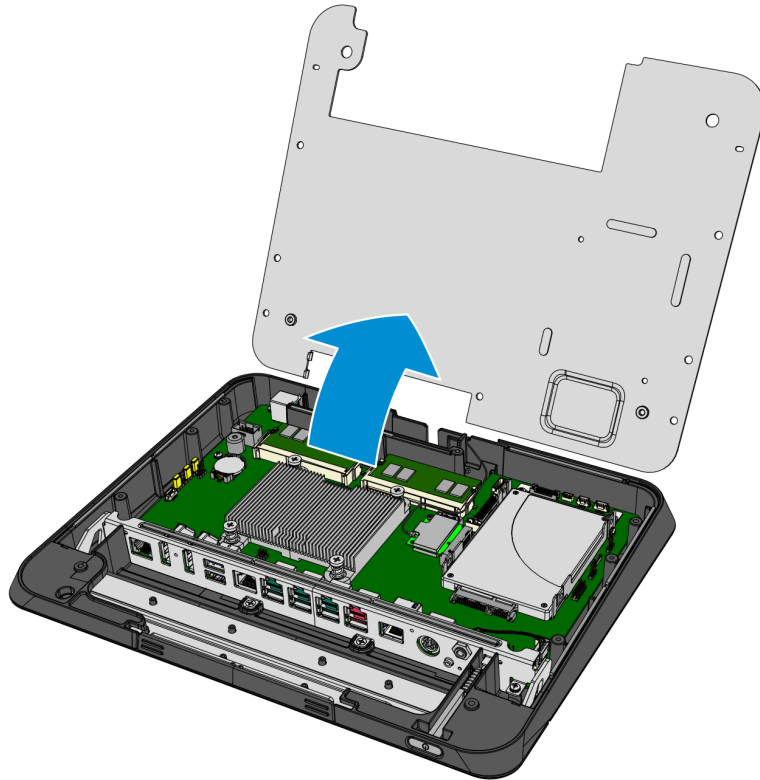
CCP-70240

4. Carefully rotate the Cover backward to open the Base. If an HDD storage media is installed, remove its Data and Power connectors from the motherboard.
 - a. With HDD Storage Media



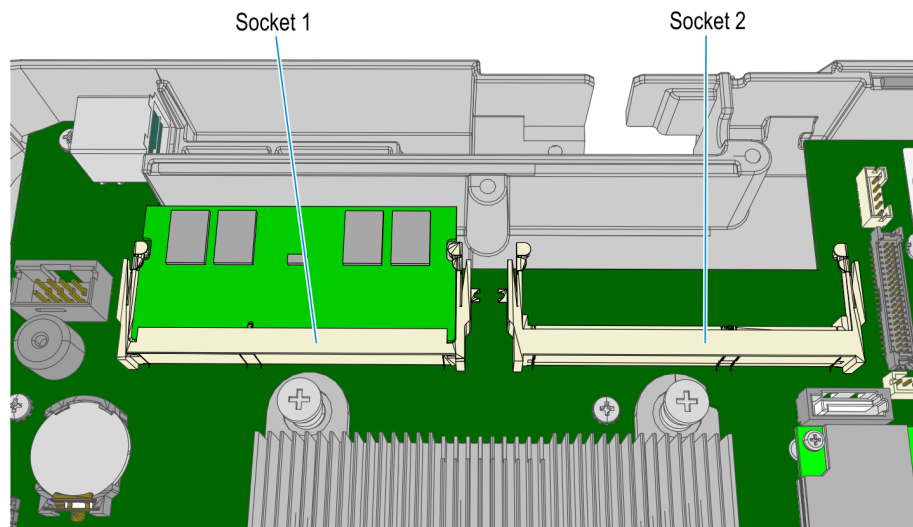
CCP-70242

b. With SSD Storage Media



CCP-70241

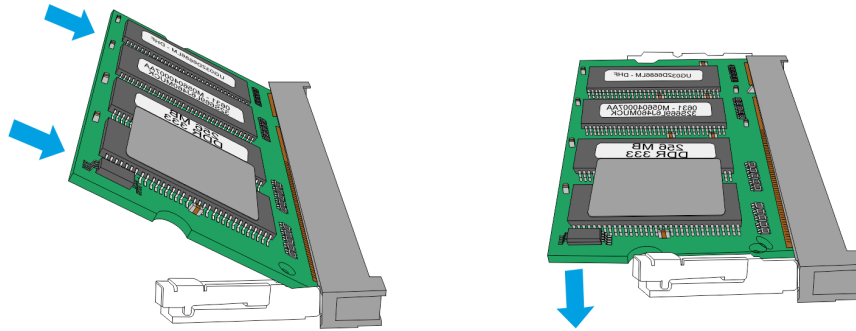
5. Install the memory upgrade in the right-hand socket (Socket 2).



CCP-70247

6. To install a module, align it with the socket and push it into the socket.

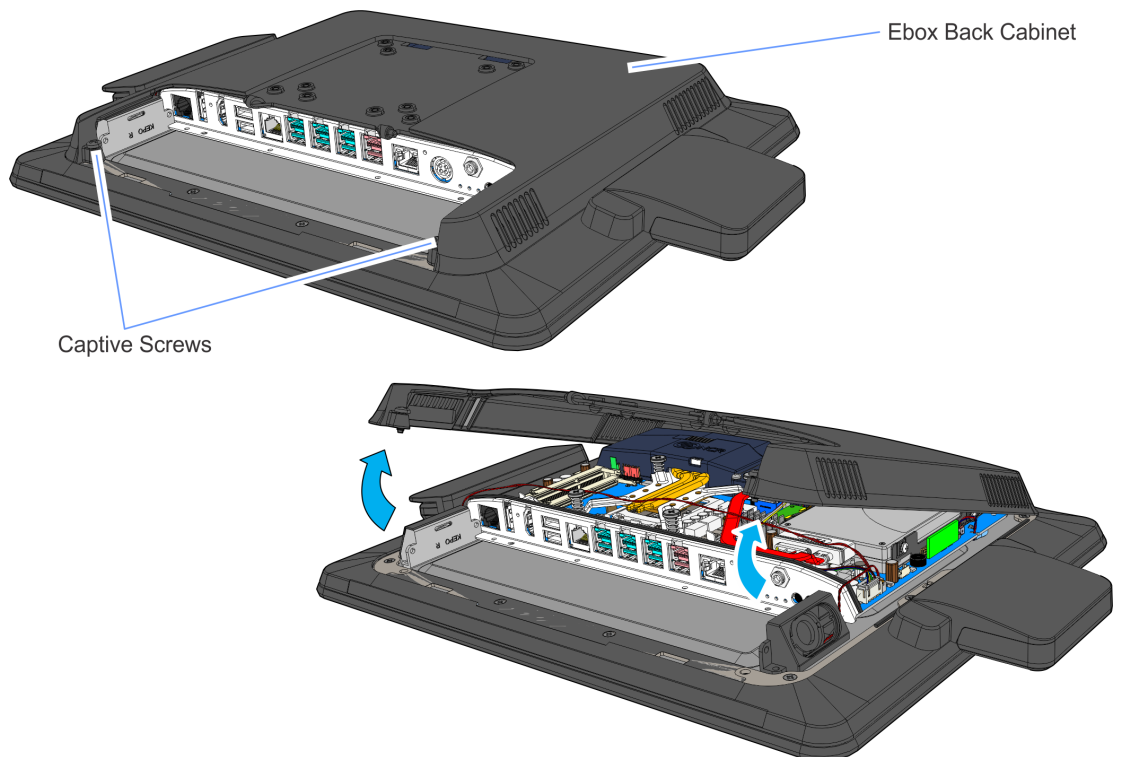
7. Press the module down until it latches in position. Make sure that the edges of the module engage the latches and that the latches are completely engaged.



CCP-70246

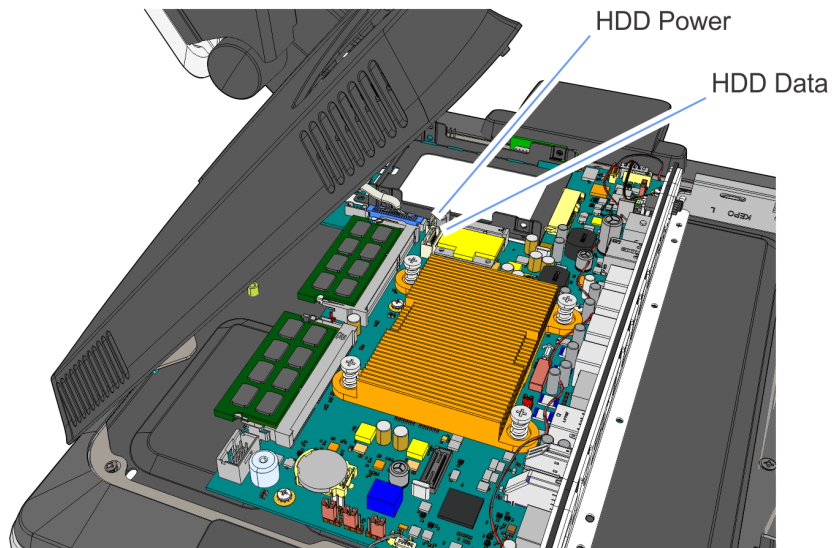
XR5 POS (7701)

1. Remove the Rear Cover.
 - a. Loosen the captive screws (2) that secure it to the chassis.
 - b. Pivot the Rear Cover as shown.



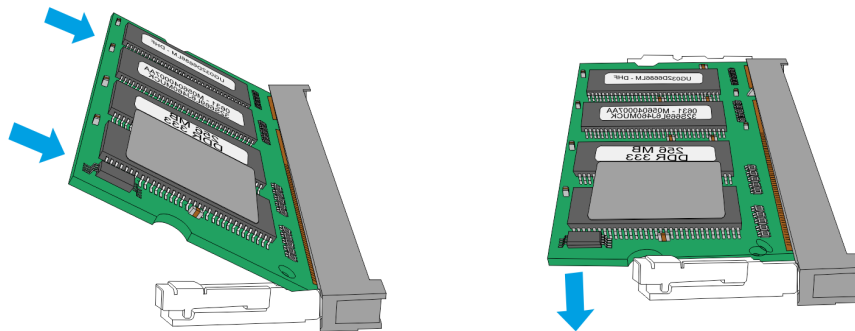
32822

2. The optional Hard Disk Drive is mounted on the inside of the Rear Cover. If an HDD is present, disconnect the HDD Power and Data cables from the motherboard.



33936

3. To install a module, align it with the socket and push it into the socket (the socket is keyed).
4. Press the module down until it latches in position. Make sure that the edges of the module engage the latches and that the latches are completely engaged.



CCP-70246

CX5 All-in-One POS (7773)



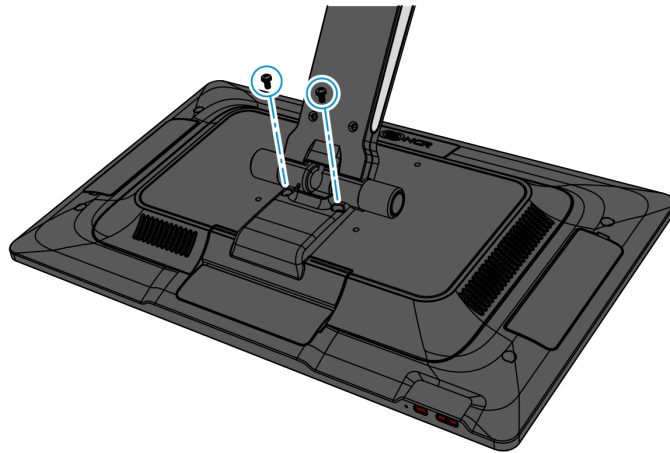
Note: Memory configurations containing a single memory module should be installed in the lower socket (Socket 1). Memory can be expanded by installing a second module in the upper socket (Socket 2).

1. Lay the Display face down on a flat surface.



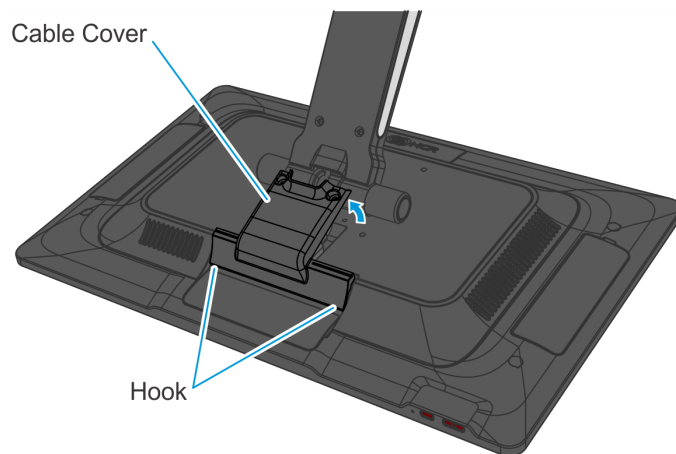
Note: Always use a soft material (cloth, foam) to protect the display screen when placing the terminal face down.

2. Remove the Cable Cover.
 - a. Remove the two (2) screws that secure the Cable Cover to the Back Cover.



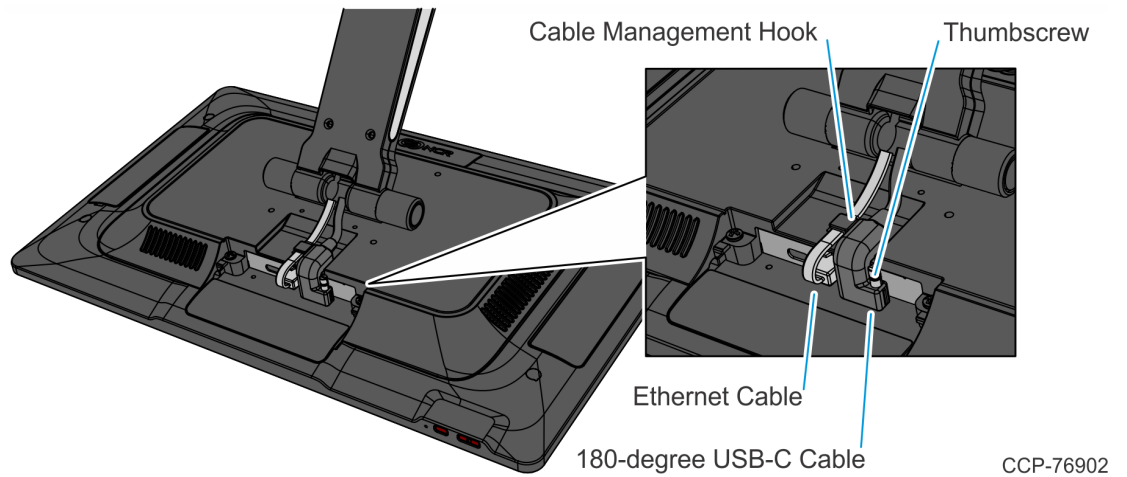
CCP-77013

- b. Rotate and unhook the Cable Cover from the Back Cover.

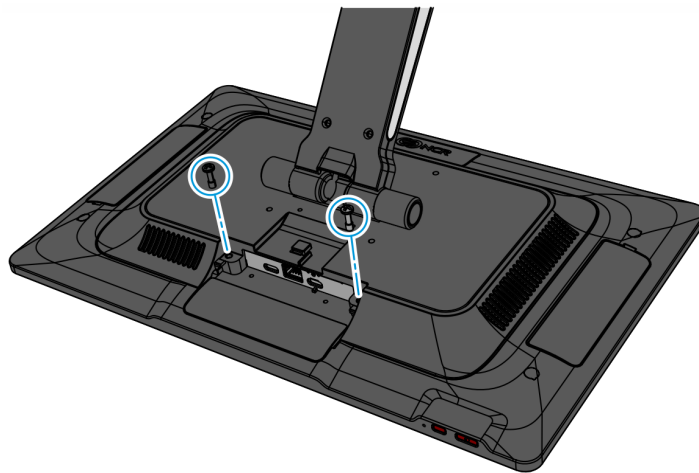


CCP-77014

3. Disconnect the Cables.
 - a. Loosen the thumbscrew of the 180-degree USB-C Cable then disconnect the Cable.
 - b. Remove the Ethernet Cable from the Cable Management Hook then disconnect the Cable.

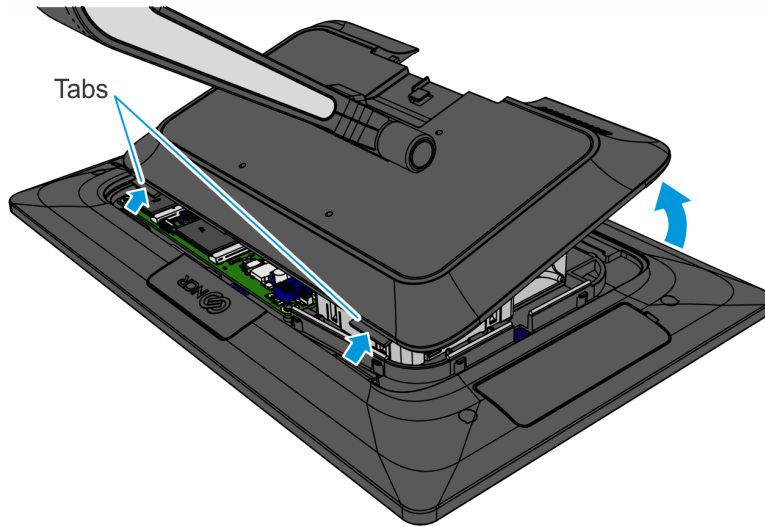


4. Remove the two (2) captive screws that secure the Back Cover to the Display.



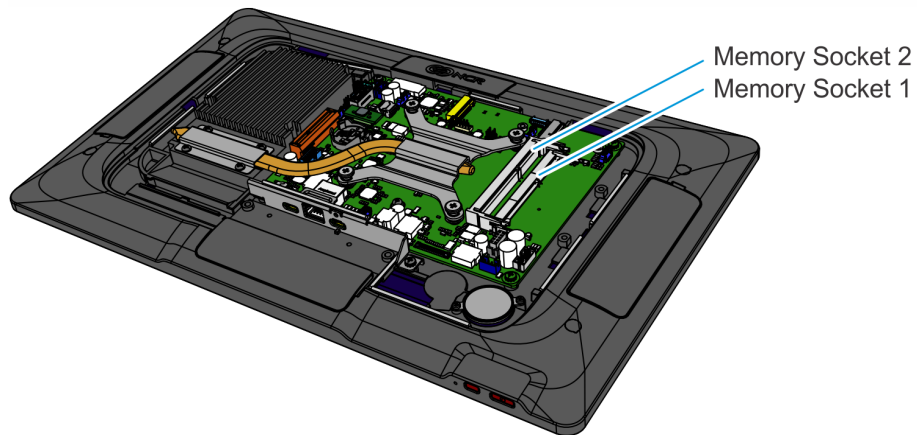
CCP-76903

5. Rotate the Back Cover away from the Display and unhook the Back Cover Tabs.

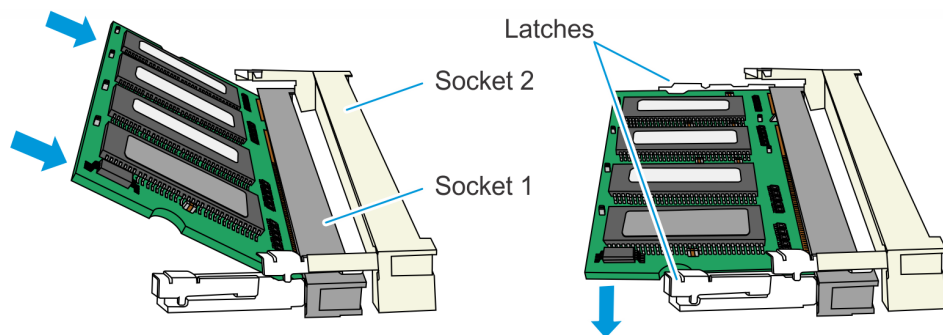


CCP-76905

6. Install the Memory Module in the Memory Socket at an angle as shown.



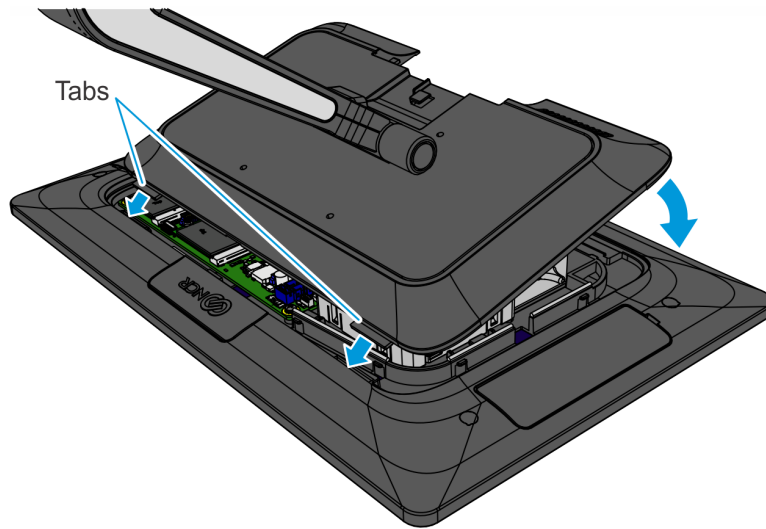
CCP-77829



CCP-76914

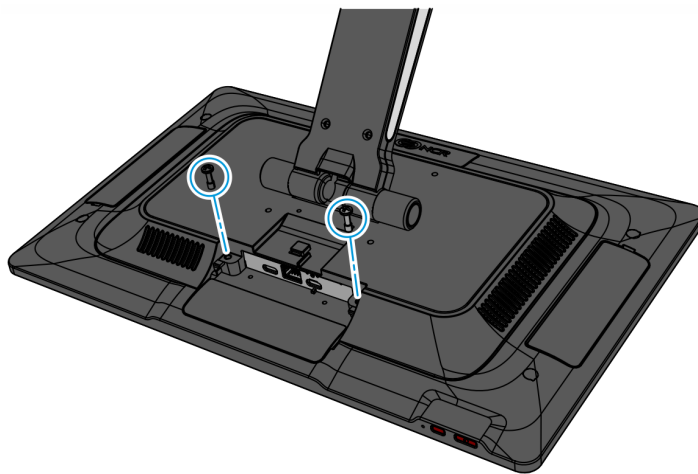
7. Press the Memory Module down until it latches in position. Ensure the latches are completely engaged.

8. Insert the Back Cover Tabs into the openings in the back of the Display, then rotate the Back Cover onto the Display.



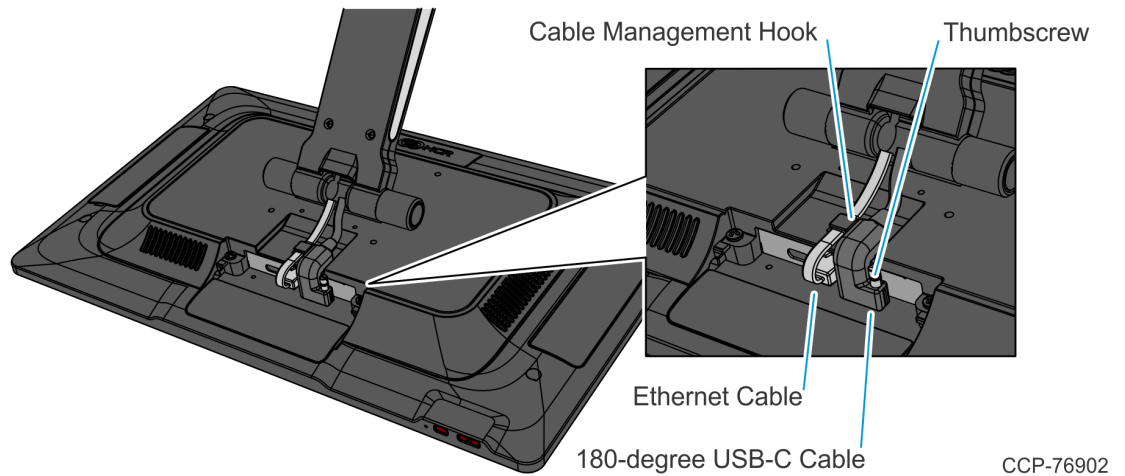
CCP-76904

9. Secure the Back Cover with two (2) captive screws.

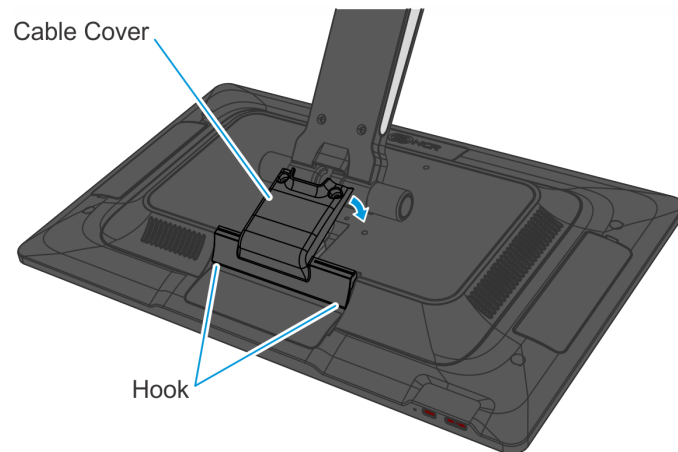


CCP-76903

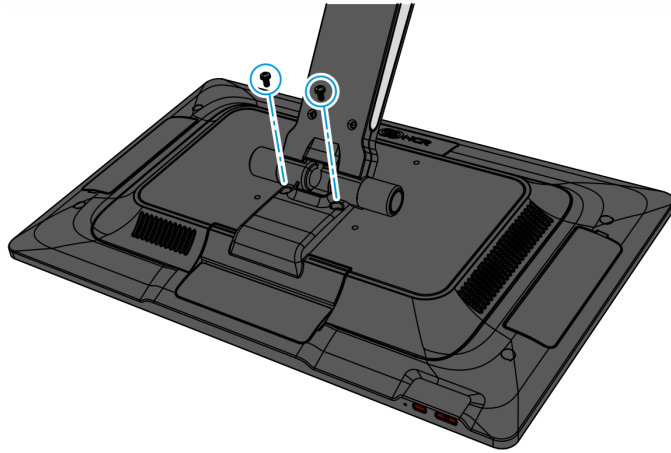
10. Connect the Cables on the back of the Display.
 - a. Connect the Ethernet Cable until latched and secure the cable under the Cable Management Hook.
 - b. Connect the 180-degree USB-C Connector and tighten the thumbscrew.



11. Install the Cable Cover.
 - a. Hook the bottom of the Cable Cover to the Back Cover, then rotate the Cable Cover into place.



- b. Secure the Cable Cover with two (2) screws.



CCP-77013