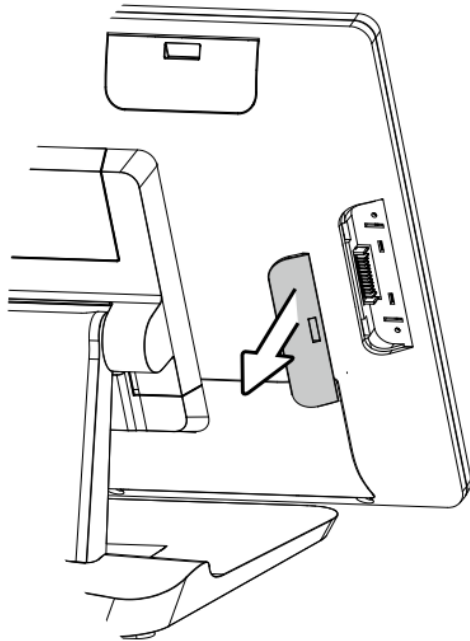


1

Remove Cover

- Remove the cover from the back of the terminal on the side you wish to attach the fingerprint reader.



2

Attach Fingerprint Reader

- Attach the fingerprint reader to the side of the terminal
- Use the two provided screws to secure the fingerprint reader to the terminal.

