

TP-MFB5M28 & TP-MFB5M4

5MP HD TwilightVision™ IR Bullet Network Camera



KEY FEATURES

- ✓ To be used with SMART Series NVR with Turing Vision Cloud
- ✓ TP-MFB5M28: 2.8mm Fixed lens; TP-MFB5M4: 4mm Fixed Lens
- ✓ Max. 5MP (2880*1620)@ 30/25fps
- ✓ **TwilightVision™** technology superior low-light performance
- ✓ Built-in Mic
- ✓ Smart IR, up to 40m (131 ft)
- ✓ Supports 256 G Micro SD card
- ✓ PoE, True WDR



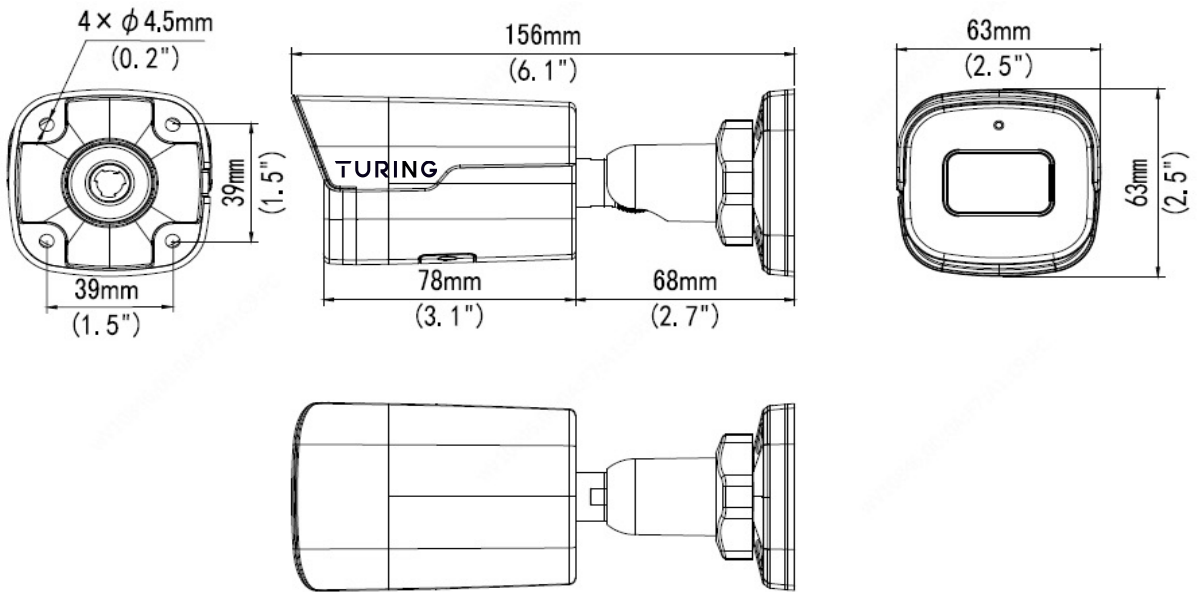
SPECIFICATIONS

CAMERA	
Sensor	1/2.7", 5.0 megapixel, progressive scan, CMOS
Lens	2.8mm@F1.6 4.0mm@F1.6
Angle of View (H)	96.1° 78.7°
Angle of View (V)	55.3° 44.9°
Angle of View (O)	111.1° 89.2°
Adjustment angle	Pan: 0° ~ 360° Tilt: 0° ~ 90° Rotate: 0° ~ 360°
Shutter	Auto/Manual, 1 ~ 1/100000s
Minimum Illumination	Color: 0.003Lux (F1.6, AGC ON) 0Lux with IR on
Day/Night	IR-cut filter with auto switch (ICR)
S/N	>56dB
IR Range	Up to 40m (131 ft) IR range
Wavelength	850nm
IR On/Off Control	Auto/Manual
Defog	Digital Defog
WDR	120dB
VIDEO	
Video Compression	Ultra 265, H.265, H.264, MJPEG
H.264 code profile	Baseline profile, Main profile, High profile
Frame Rate	Main Stream: 5MP (2880*1620), Max 30fps; 4MP (2560*1440), Max 30fps; 3MP (2304*1296), Max 30fps; 1080P (1920*1080), Max 30fps; Sub Stream: 720P (1280*720), Max 30fps; D1 (720*576), Max 30fps; 640*360, Max 30fps; 2CIF(704*288), Max 30fps; CIF(352*288), Max 30fps; Third Stream: D1 (720*576), Max 30fps; 640*360, Max 30fps; 2CIF(704*288), Max 30fps; CIF(352*288), Max 30fps;
Video Bit Rate	128 Kbps~16 Mbps
9:16 Corridor Mode	Supported
OSD	Up to 8 OSDs
Privacy Mask	Up to 4 areas
ROI	Up to 8 areas
Motion Detection	Up to 4 areas
IMAGE	
White Balance	Auto/Outdoor/Fine Tune/Sodium Lamp/Locked/Auto2
Digital Noise Reduction	2D/3D DNR
Smart IR	Support
Flip	Normal/Vertical/Horizontal/180°/90°Clockwise/90°Anti-clockwise
HLC	Supported
BLC	Supported

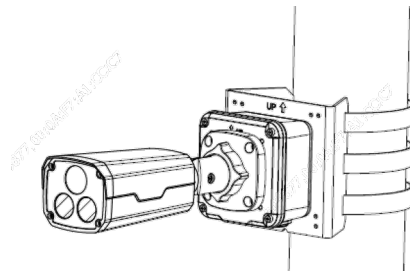
AUDIO	
Audio Compression	G.711
Suppression	Supported
Sampling Rate	8KHZ
STORAGE	
Edge Storage	Micro SD, up to 256GB
Network Storage	ANR, NAS(NFS)
INTELLIGENCE	
Intelligence	Cross line, intrusion, enter area detection
Basic Detection	Motion detection, tampering alarm, audio detection
Compatible NVR	Turing SMART NVR: TR-MR(P) models
NETWORK	
General Function	Watermark, IP address filtering, access policy, ARP protection, RTSP authentication, user authentication
Protocols	IPv4, IGMP, ICMP, ARP, TCP, UDP, DHCP, PPPoE, RTP, RTSP, RTCP, DNS, DDNS, NTP, FTP, UPnP, HTTP, HTTPS, SMTP, 802.1x, SNMP, QoS
Compatible Integration	ONVIF (Profile S, Profile G, Profile T), API
Web Browser	Plug-in required live view: IE9+, Chrome 41 and below, Firefox 52 and below Plug-in free live view: Chrome 57.0+, Firefox 58.0+, Edge 16+, Safari 11+
INTERFACE	
Network	1 RJ45 10M/100M Base-TX Ethernet
Built-in Mic	Supported
CERTIFICATIONS	
Certifications	CE: EN 60950-1 UL: UL60950-1 FCC: FCC Part 15
GENERAL	
Power	DC 12V±25%, PoE (IEEE 802.3af) Power consumption: Max 4.0W
Dimensions (L x W x H)	155.9 x 63.1 x 62.7mm (6.1" x 2.5" x 2.5")
Net Weight	0.42kg (0.93lb)
Material	Metal
Working Environment	-30°C ~ 60°C (-22°F ~ 140°F), Humidity: ≤95% RH (non-condensing)
Storage Environment	-30°C ~ 60°C (-22°F ~ 140°F), Humidity: ≤95% RH (non-condensing)
Surge Protection	2KV
Ingress Protection	IP67
Reset Button	Supported



DIMENSIONS



MOUNTING



Pole Mount: TP-FCBPM

Junction Box: TP-FSBJB



Optional Cable Gland: TP-UWPJ

