

# Dual Video Module

## ATLAS 890 and 830 Video Switch and Integrated Access Device

### Product Features

- Enables ATLAS to be used as a video access switch, hub, and PRI/BRI IMUX
- Module includes two independent video ports
- Each video port includes one RS-366 dialing interface and one serial interface
- Serial interfaces include: V.35, EIA-530, RS-449
- Serial ports support bandwidth from 56 Kbps up to 1.472 Mbps when used with Nx56/64 BONDing module
- Supports multiple video-conference systems and gateways
- Reduce overall communications WAN costs
- ATLAS supports T3, PRI, BRI, T1, Frame Relay, ISDN Switching, IP Routing and Inverse Multiplexing
- Standard five-year warranty

**The ATLAS™ 890 and 830 Dual Video Module is the newest addition to the ATLAS video switching option modules designed to support videoconferencing applications.**

The Dual Video Module provides two sets of RS-366 interfaces and synchronous DTE ports to add inverse multiplexing (IMUX) function in ATLAS. The DTE ports support V.35, RS-449, and EIA-530 interfaces.

The Dual Video Module can be used in conjunction with the ATLAS 890 and 830 PRI/T1, BONDing and multi-port BRI modules to provide industry-leading videoconferencing network access and video switching over ISDN services.

By centrally locating the ATLAS Integrated Access Device (IAD), users can connect video systems from different floors in a building or from multiple buildings within a campus. This allows each system to share service provider network access on a call-by-call basis. Dedicated videoconferencing access circuits can be eliminated, which reduces monthly costs.

The Dual Video Module combined with the BONDing module enable users to create high bandwidth video sessions. Each video port

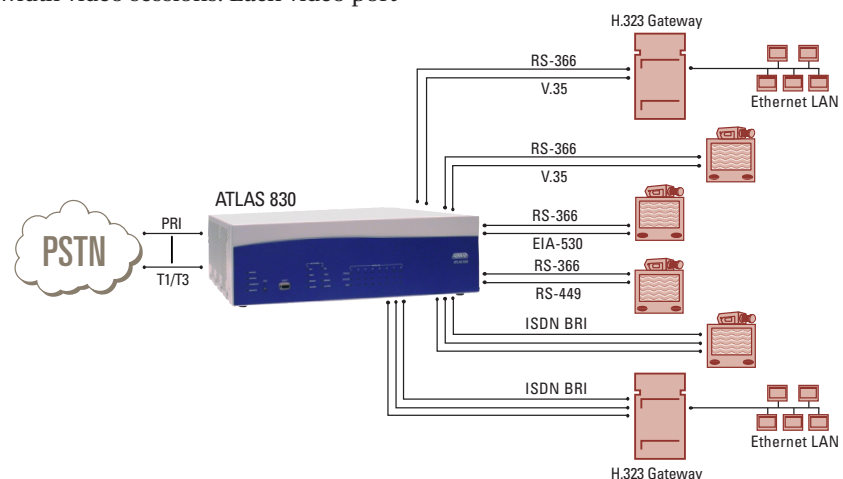
supports Nx56/64K access up to a maximum 1.472 Mbps. Integrating the BONDing and Inverse Multiplexing into the ATLAS multi-function platform offers low cost, high performance, and simplicity advantages over external inverse multiplexers.

The dial menu will allow storage for up to 10 numbers and includes the number, a text description, the call type, the source ID, and the minimum and maximum number of DS0's. Dialing options include manual, DTR dialing, and RS-366 dialing.

The Dual Video Module can be easily installed in one of the 15 option slots of the ATLAS 890 for large sites that require high density and full system redundancy or the eight-slot ATLAS 830 for smaller locations.

The Dual Video Module is offered in three variations based upon the type of serial interface connectivity required. With each Dual Video Module, two serial interface cables are included that deliver either V.35, EIA-530 or RS-449 interfaces.

The ATLAS Dual Video Module is backed by the industry's premier warranty, service and support.





**ADTRAN, Inc.**

Attn: Enterprise Networks  
901 Explorer Boulevard  
Huntsville, AL 35806

P.O. Box 140000  
Huntsville, AL 35814-4000

256 963-8000 voice  
256 963-8699 fax  
256 963-8200 fax back

**General Information**  
800 9ADTRAN  
info@adtran.com  
www.adtran.com

**Pre-Sales  
Technical Support**  
800 615-1176 toll-free  
application.engineer@adtran.com  
www.adtran.com/support

**Where to Buy**  
877 280-8416 toll-free  
channel.sales@adtran.com  
www.adtran.com/where2buy

**Post-Sales  
Technical Support**  
888 423-8726  
support@adtran.com  
www.adtran.com/support

**ACES Installation &  
Maintenance Service**  
888 874-ACES  
aces@adtran.com  
www.adtran.com/support

**International Inquiries**  
256 963 8000 voice  
256 963-6300 fax  
international@adtran.com  
www.adtran.com/international

**For the regional office  
nearest you, visit:**  
www.adtran.com/where2buy

# Dual Video Module

## ATLAS 890 and 830 Video Switch and Integrated Access Device

### Product Specifications

#### DTE Interfaces (\*)

- V.35
  - EIA-530
  - RS-449
- (\*) Custom cables needed

#### DTE Rates

- 56 Kbps to 1.472 Mbps (full PRI) in increments of 56/64 Kbps

#### Test Pattern

- 511 with errored seconds display and single error inject capability

#### Tests

- Local loopback (TDM) – menu or DTE pin activated
- Local loopback (output drivers) – menu activated
- Remote loopback – menu activated
- Self test

#### CTS, DCD, DSR Options

- Normal or forced On

#### DTR

- Recognize or ignore

#### Detailed Diagnostics

- Q.931 easy-to-read messages
- Detailed L2 (Q.921) and L3 (Q.931) decoding
- Call trace information
- WAN trunk usage

#### Environmental

##### Operating Temperature

- 0 to 45°C

##### Storage Temperature

- -20 to 70°C

##### Relative Humidity

- Up to 95% non-condensing

#### CSA/UL 950/1950 3rd Edition

#### FCC Part 15, Class A

#### Industry Canada CS-03

### Ordering Information

Equipment	Part #
Dual V.35 Video Module	4200773L1
Dual EIA-530 Video Module	4200773L2
Dual RS-449 Video Module	4200773L3
ATLAS Video V.35 Cable	1200774L1
ATLAS Video EIA-530 Cable	1200774L2
ATLAS Video RS-449 Cable	1200774L3



I.S. EN ISO 9001  
ADTRAN is a  
ISO 9001 registered company.



TL 9000  
ADTRAN is a  
TL 9000 registered company.

Printed in the U.S.A.  
61200773L1-8B January 2003  
©2003 ADTRAN, Inc. All rights reserved.

Specifications subject to change without notice. ADTRAN and ATLAS are trademarks of ADTRAN, Inc. All registered trademarks and trademarks mentioned in this publication are the property of their respective owners.