



# ISU 128

## 128 KBPS ISDN SERVICE UNIT

### PRODUCT FEATURES

- Provides up to 128 kbps of dialed bandwidth for high-speed data applications
- Uses standard ISDN basic rate service
- Available in standalone or Smart 16/16e shelf rackmount
- Built-in network termination and terminal adapter functionality
- Supports data rates up to 128 kbps synchronous or 115.2 kbps asynchronous
- Supports BONDING and multilink PPP
- Supports dedicated 128 kbps 2B1Q service in a limited distance modem or leased line application
- Supports remote configuration over the ISDN line or externally
- Manual, automatic, and stored number dialing
- Windows® 95/98 plug-and-play compatible
- Standard 5-year warranty

The ADTRAN ISDN Service Unit (ISU®) 128 connects data terminal equipment (DTE) to the ISDN network. The ISU 128® is a full featured single-port terminal adapter that allows cost-effective high-speed data transmission at rates up to 128 kbps. Available in standalone or rackmount configurations, the ISU 128 is ideal for LAN/WAN connectivity or disaster recovery.

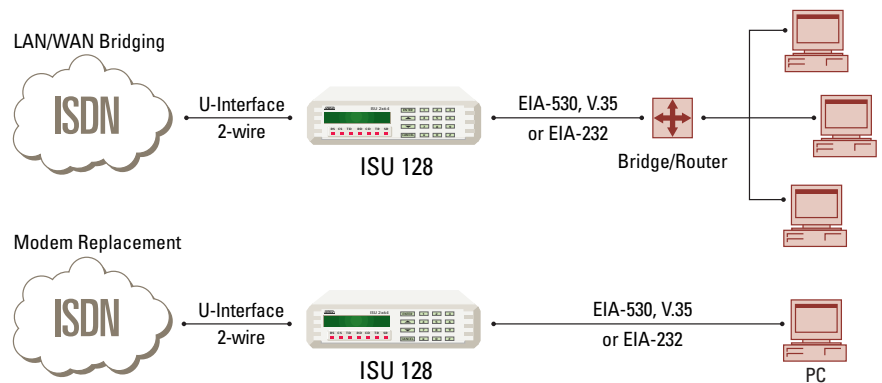
ISDN service is delivered from the network by a single 2-wire U-interface connected directly to the ISU 128. The ISU 128 responds to loopback commands from the telephone company central office to make testing easy.

The ISU 128 allows the user to migrate existing networks to an ISDN environment. The ISU 128 interoperates with V.34 modems (optional) and Switched 56 DSUs, as well as various ISDN terminal adapters, inverse multiplexers and multilink PPP compatible routers.

The ISU 128 provides connectivity to EIA-530, EIA-232 or V.35 DTE devices. The ISU 128 performs at synchronous data rates of 2400 bps to 128 kbps and asynchronous rates of 300 bps to 115.2 kbps. At rates over 64 kbps, multilink PPP or the BONDING delay equalization protocol synchronizes data over the two 64 kbps B channels.

The ISU 128 also supports dedicated leased 2B1Q services. This provides a dedicated point-to-point service with no dialing necessary.

The front panel of the ISU 128 standalone consists of a two-line by 16-character display, seven LEDs, and a 16-button keypad. Configuration, testing and monitoring of the unit can be accomplished through the front panel, a VT 100 terminal connected to the maintenance port, or remotely over the ISDN line.



## CORPORATE OFFICE

ADTRAN, Inc.  
901 Explorer Boulevard  
P.O. Box 140000  
Huntsville, AL 35814-4000

800 9ADTRAN  
256 963-8000  
fax: 256 963-8699  
fax back: 256 963-8200  
e-mail: info@adtran.com  
web site: www.adtran.com

## REGIONAL OFFICES

Chicago, IL 800 436-4217  
Seattle, WA 800 390-1573  
Washington, DC 800 794-9798

## FIELD OFFICES

Atlanta, GA 800 289-0966  
Chicago, IL 800 471-8655  
Columbus, OH 888 865-2237  
Dallas, TX 800 471-8648  
Denver, CO 800 471-8651  
Irvine, CA 800 788-5408  
Kansas City, KS 800 471-8649  
Los Angeles, CA 888 223-7668  
Nashville, TN 888 223-7657  
New York, NY 800 471-8657  
Portland, OR 888 223-7660  
Richmond, VA 800 689-9915  
San Jose, CA 888 223-7655

## INTERNATIONAL CONTACTS

Asia Pacific/Australia  
852-2824-8283 (Hong Kong)  
Canada  
800 232-6811  
Caribbean/Latin America  
954 746-5355  
All other International inquiries  
256 963-2500



I.S. EN ISO 9001

ADTRAN is an ISO 9001 registered company.



Printed in the U.S.A. on recycled paper.  
61202029L2-8E February 1999  
©1999 ADTRAN, Inc. All rights reserved.

# Product Specifications

## NETWORK INTERFACE

- RJ-45 for ISDN Basic Rate U-Interface

## DTE INTERFACE

- EIA-530, EIA-232, V.35

## DTE DATA RATES

- 2400 bps to 128 kbps synchronous
- 300 bps to 115.2 kbps asynchronous

## OPTIONAL ANALOG MODEM INTEROPERABILITY

- V.34 compatible (standalone)
- Automatic fallback rate adaption

## PROTOCOLS

- CCITT V.120, T-LINK, SAP, Clear Channel, DSU 57.6 Async, Async to Sync PPP, Multilink PPP (standalone only), BONDING Mode 1, Fallback

## INTEROPERABILITY

- BONDING-compatible inverse multiplexers, Switched 56 DSUs, ISDN TAs, ISUs, PPP compatible routers.

## ISDN SWITCH COMPATIBILITY

- National ISDN-1, Lucent 5ESS®, Nortel DMS-100™, NEC

## DIALING SELECTIONS

- Manual or automatic stored number dialing
- DTR assertion
- *In-Band DTE Dialing*: V.25 bis, AT commands
- *Dial interface*: EIA-366

## DIAGNOSTICS AND TESTING

- Local and remote loopbacks, CCITT V.54 loopback, 2047 pattern, remote configuration

## DISPLAY

- Two-line x 16-character LCD

## AGENCY APPROVALS

- FCC Part 15 Class B, FCC Part 68, UL, CUL, CSA, and CS03

## ENVIRONMENT

- *Operating Temperature*: 0° to 50°C, (32° to 122°F)
- *Storage Temperature*: -20° to 70°C, (-4° to 158°F)
- *Relative Humidity*: up to 95%, non-condensing

## PHYSICAL

### Dimensions

- *Standalone*: 2.25" H, 7.5" W, 10" D
- *Rackmount*: 1.0" H, 6.75" W, 10.5" D

### Weight

- *Standalone*: 3 lbs
- *Rackmount*: 1.75 lbs

### Power

- 115 VAC, 60 Hz, 8 watts maximum dissipation

## PRODUCT INCLUDES

- 7' RJ-45 telephone cable
- User manual

# Ordering Information

## EQUIPMENT

## PART #

ISU 128®, 115 VAC .....1202029L2  
ISU 128 with  
V.34 modem, 115 VAC .....1202029L3  
ISU 128, Rackmount, U-interface.....1200087L1

Specifications subject to change

ISU and ISU 128 are registered trademarks of ADTRAN, Inc.  
5ESS is a registered trademark of Lucent Technologies.  
DMS-100 is a trademark of Northern Telecom  
Windows is a registered trademark of Microsoft Corporation.

