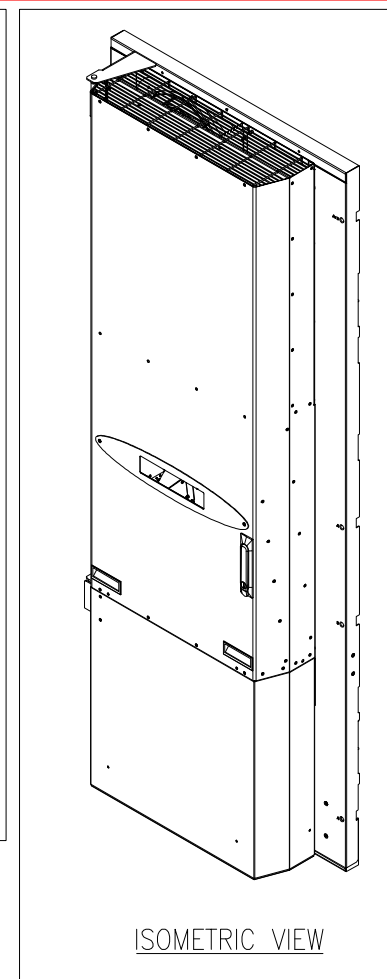


REFER DETAIL-A

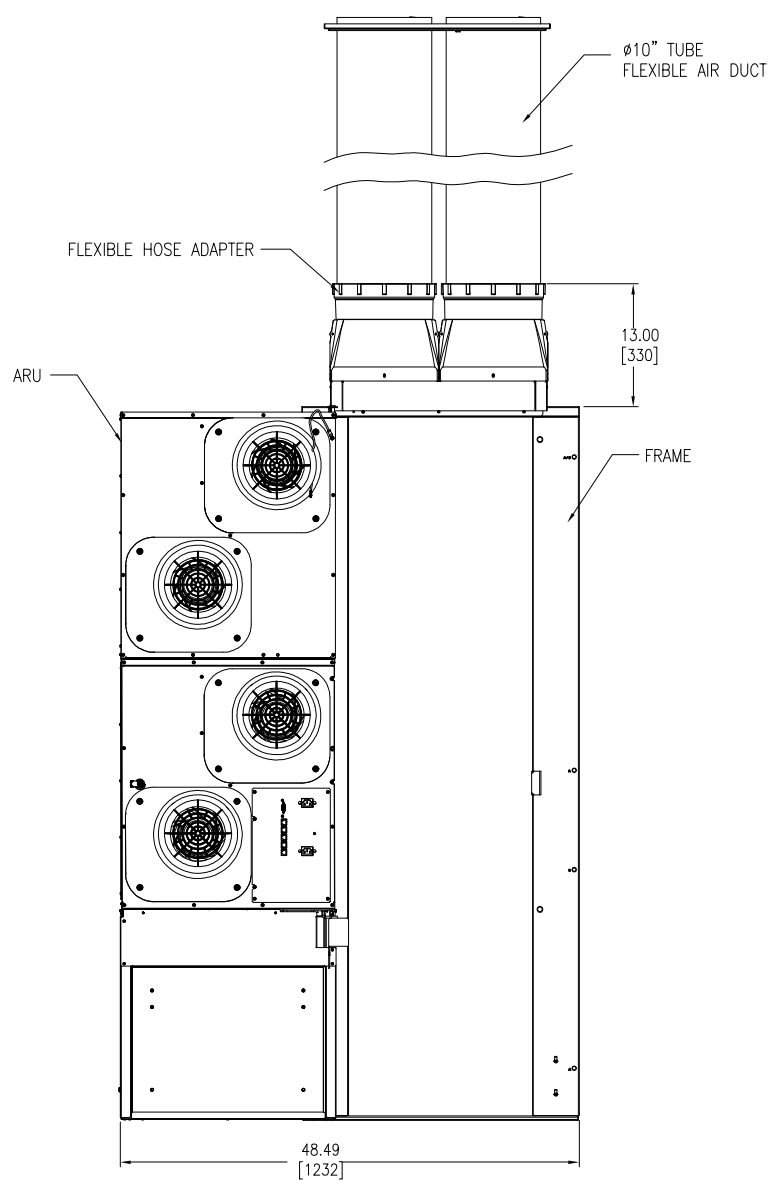


NOTES:

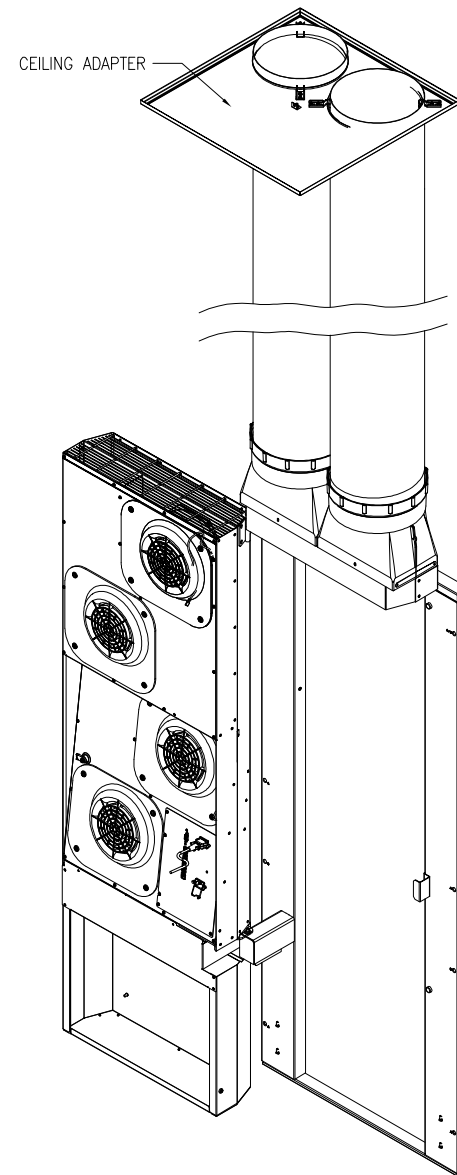
1. PLEASE REFER TO PRODUCT MANUAL
2. ALL DIMENSIONS ARE IN INCHES [MILLIMETERS].
3. NET WEIGHT OF UNIT IS 170LBS [77.27kg].
4. AIRFLOW (UPFLOW DUCTED): 2000 CFM [56.63 Cubic meter/min] MAXIMUM.
5. INSTALLATION MUST COMPLY WITH ALL APPLICABLE NATIONAL AND LOCAL CODES.

THIS DRAWING AND SPECIFICATIONS HEREIN ARE THE PROPERTY OF AMERICAN POWER CONVERSION AND SHALL NOT BE COPIED, REPRODUCED OR USED IN WHOLE OR IN PART, AS THE BASIS FOR THE MANUFACTURE OR SALE OF ITEMS WITHOUT WRITTEN PERMISSION FROM APC. THIS DRAWING IS BASED UPON LATEST AVAILABLE INFORMATION AND IS SUBJECT TO CHANGE WITHOUT NOTICE.	TITLE:	NetworkAir Product RACK AIR REMOVAL UNIT 100-240V, 50/60Hz FOR NETSHELTER SX 42U-30Wx42D MAIN MECHANICAL	DWG NO:	ACF402-MM1	REV.	—
	PROJECT:	SUBMITTAL DRAWING	SHEET	1 OF 2	DRAWN BY:	JAYAPRAKASH
					CHECKED BY:	I.ROCHOW/D.RODEN
					ENGINEER:	R.HANSEN/C.ZALDIVAR
					03/16/06	04/04/06
					04/04/06	04/04/06






ARU WITH FRAME AND
DUCTING KIT



ISOMETRIC VIEW

NOTES:

1. PLEASE REFER TO INSTALLATION MANUAL
2. ALL DIMENSIONS ARE IN INCHES [MILLIMETERS].
3. INSTALLATION MUST COMPLY WITH ALL APPLICABLE NATIONAL AND LOCAL CODES.

THIS DRAWING AND SPECIFICATIONS HEREIN ARE THE PROPERTY OF AMERICAN POWER CONVERSION AND SHALL NOT BE COPIED, REPRODUCED OR USED IN WHOLE OR IN PART, AS THE BASIS FOR THE MANUFACTURE OR SALE OF ITEMS WITHOUT WRITTEN PERMISSION FROM APC. THIS DRAWING IS BASED UPON LATEST AVAILABLE INFORMATION AND IS SUBJECT TO CHANGE WITHOUT NOTICE.		TITLE: NetworkAir Product RACK AIR REMOVAL UNIT 100-240V, 50/60Hz FOR NETSHELTER SX 42U-30Wx42D DUCTING DETAILS	DWG NO: ACF402-MM2	REV: —	 AMERICAN POWER CONVERSION 132 FAIRGROUNDS RD WEST KINGSTON, RI 02892
DRAWN BY: JAYAPRAKASH		CHECKED BY: I.ROCHOW/D.RODEN	03/16/06		
PROJECT: SUBMITTAL DRAWING		ENGINEER: R.HANSEN/C.ZALDIVAR	04/04/06		
SHEET 2 OF 2					