

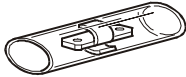




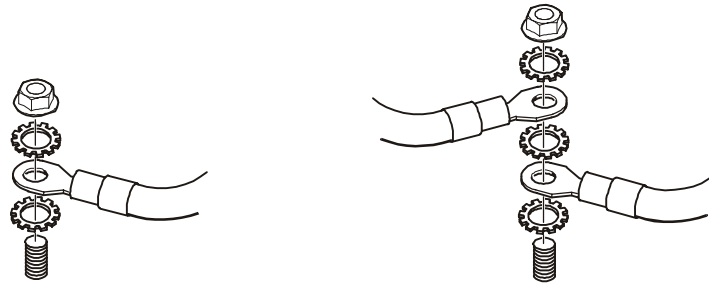
APC® NetShelter®

Ground Kit Installation Sheet — AR8390

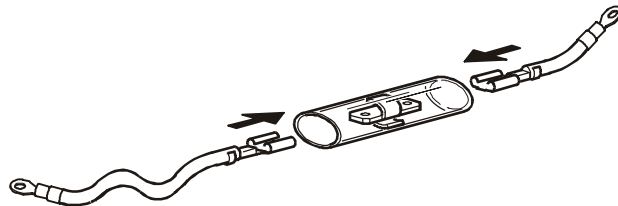
Inventory

Qty	Length/Size	Item
24	M6	
20	M8	
2	M10	
12	M6	
10	M8	
1	M10	
7		
10	7"/6mm	
6	7"/8mm	
2	7"/10mm	
2	13"/6mm	
4	13"/8mm	

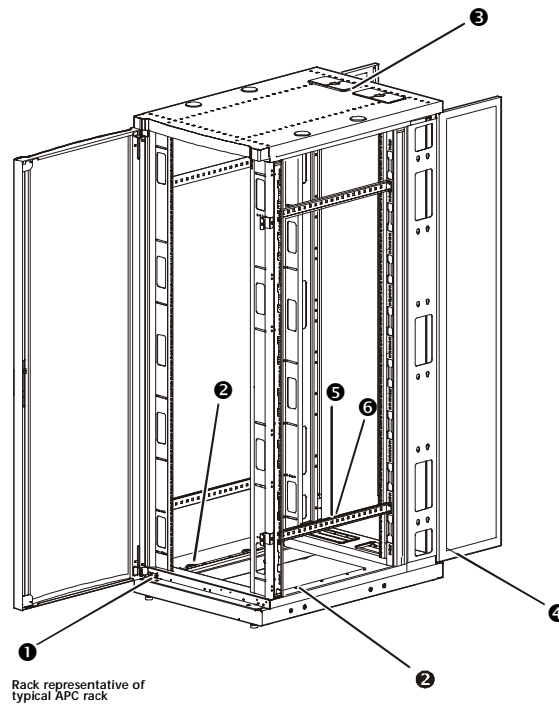
How to mount connectors to grounding studs



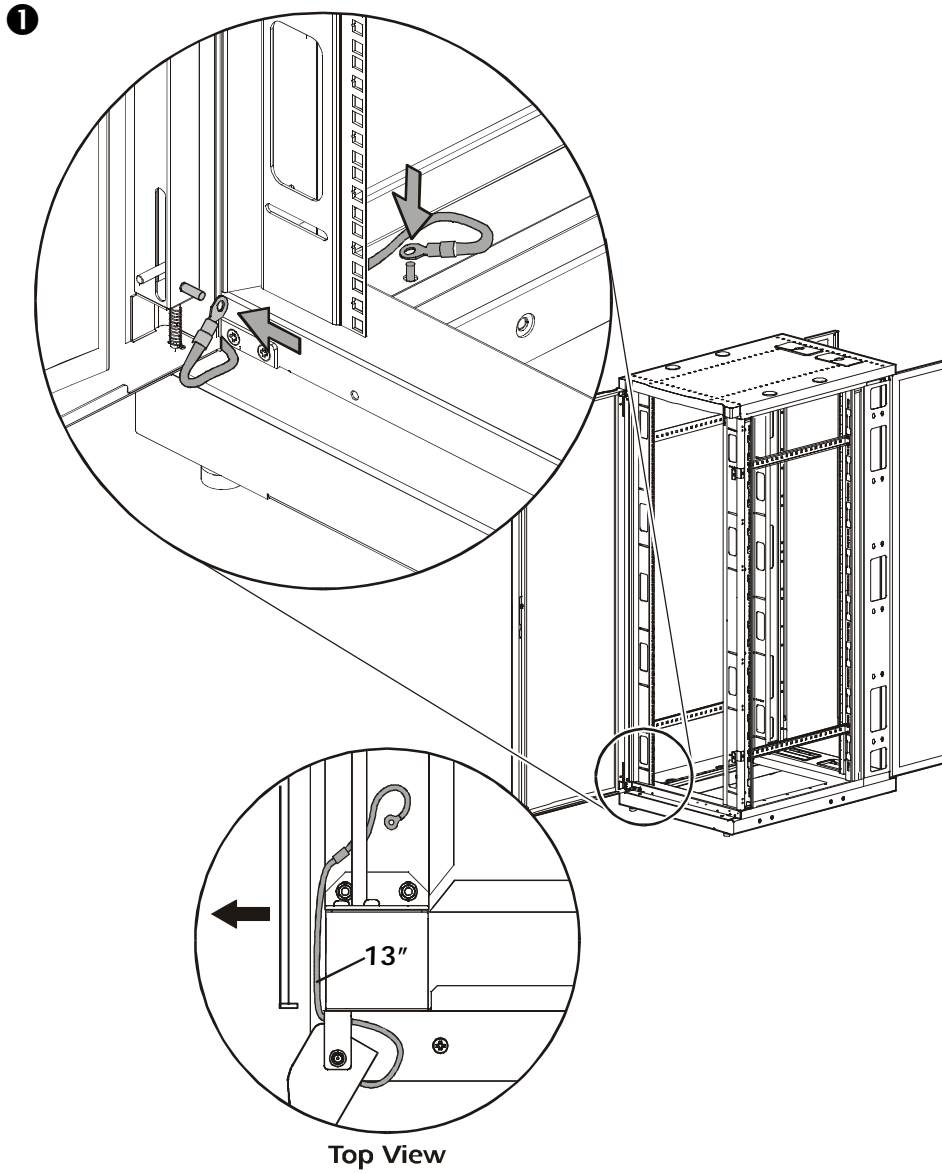
How to splice the connectors

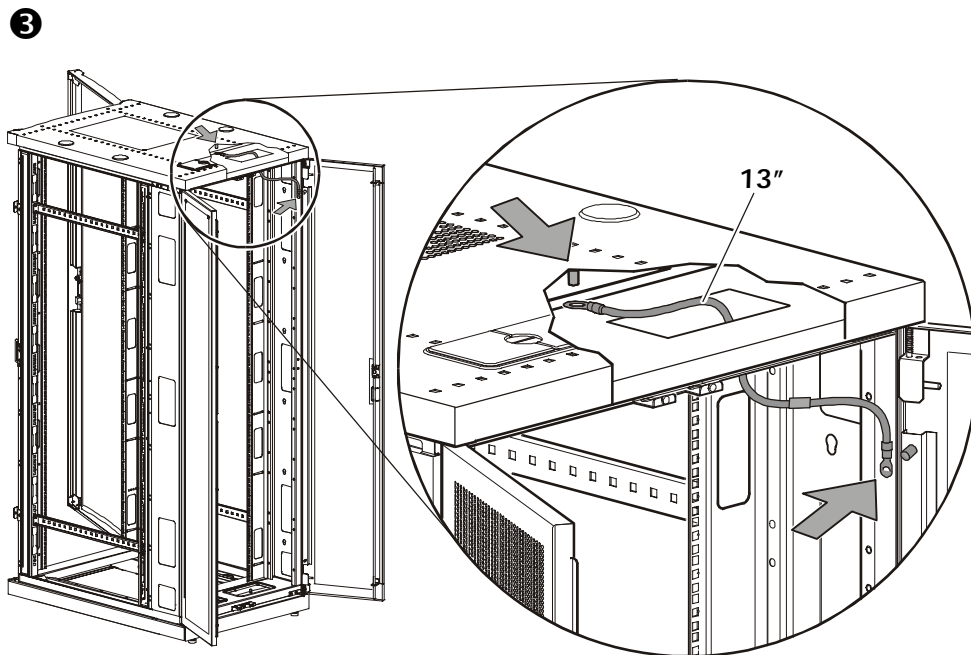
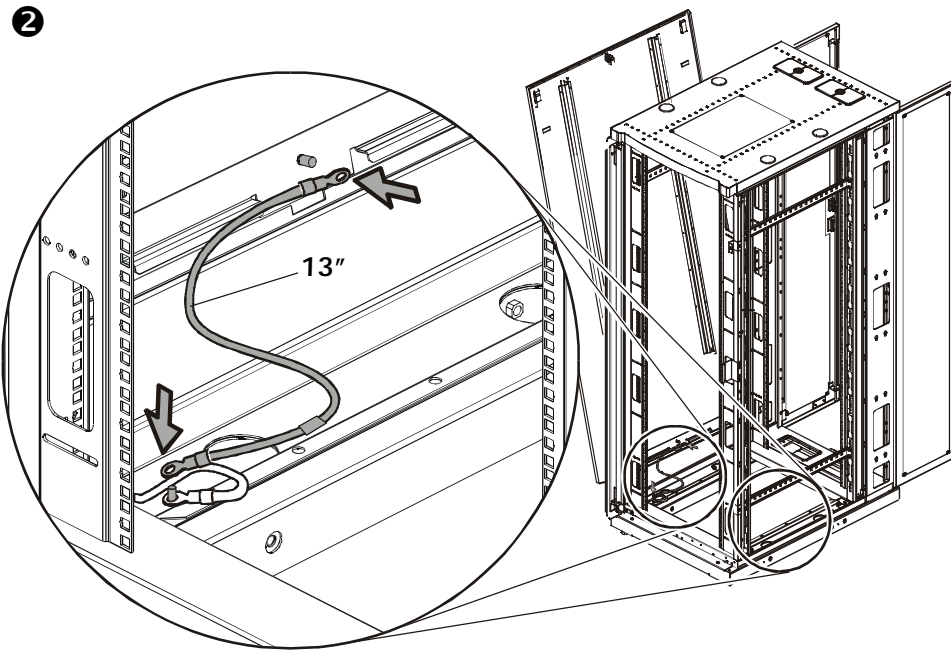


Location of ground studs

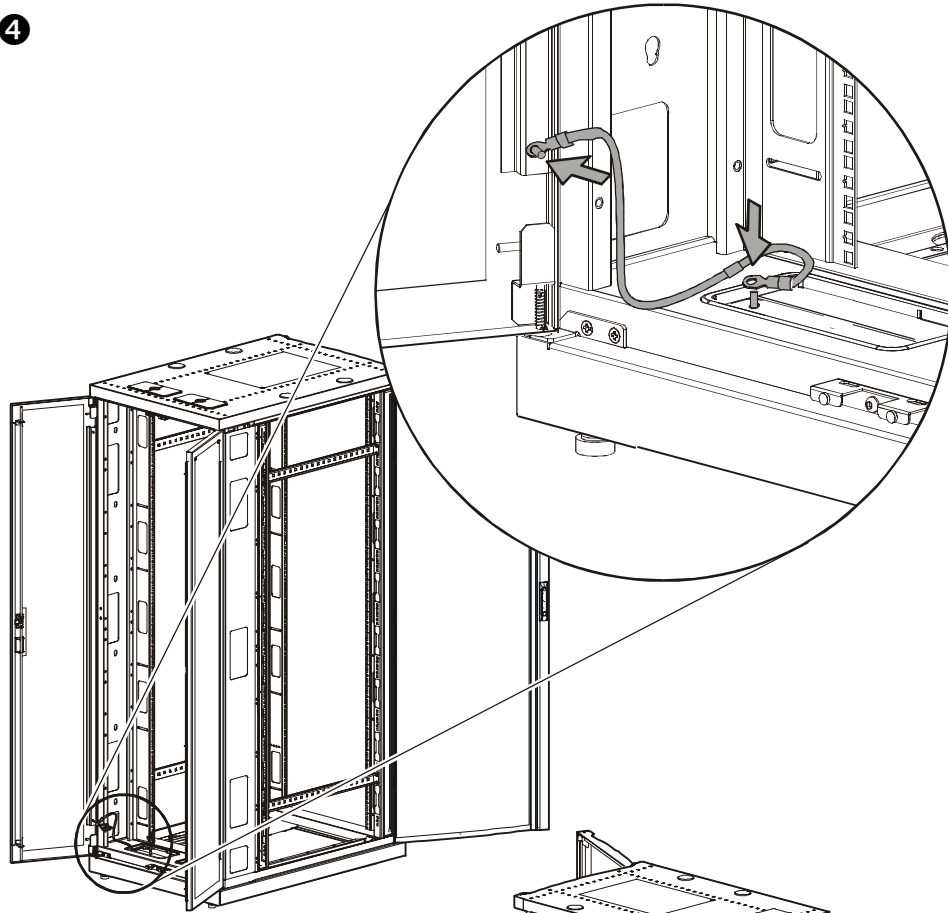


Connecting ground wires and recommended routing

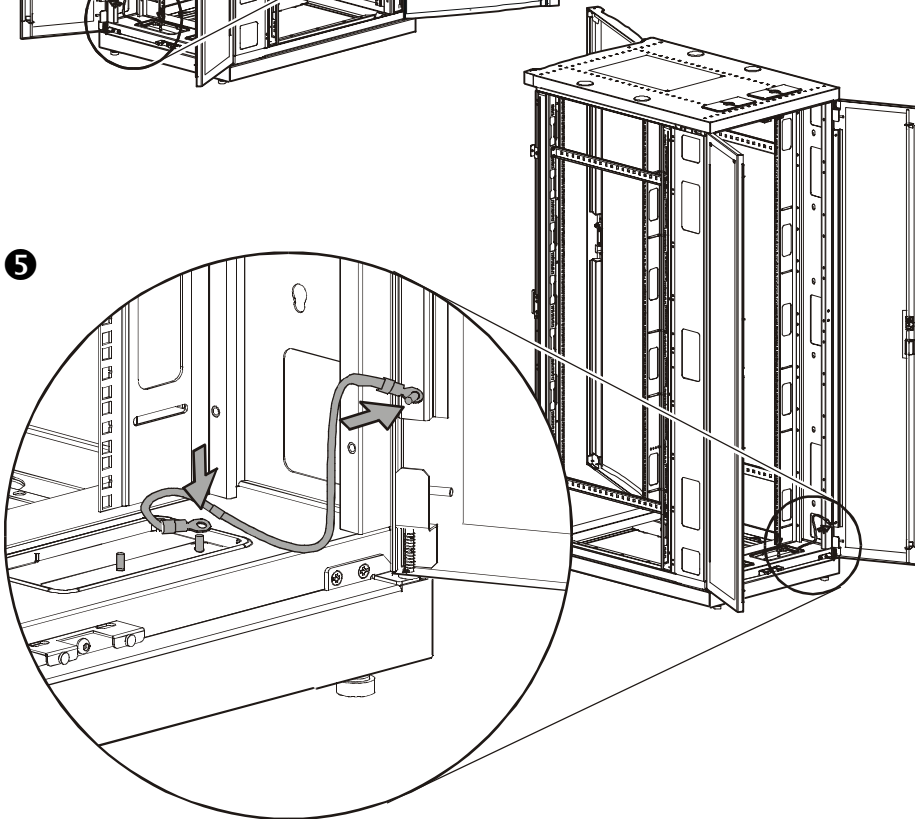




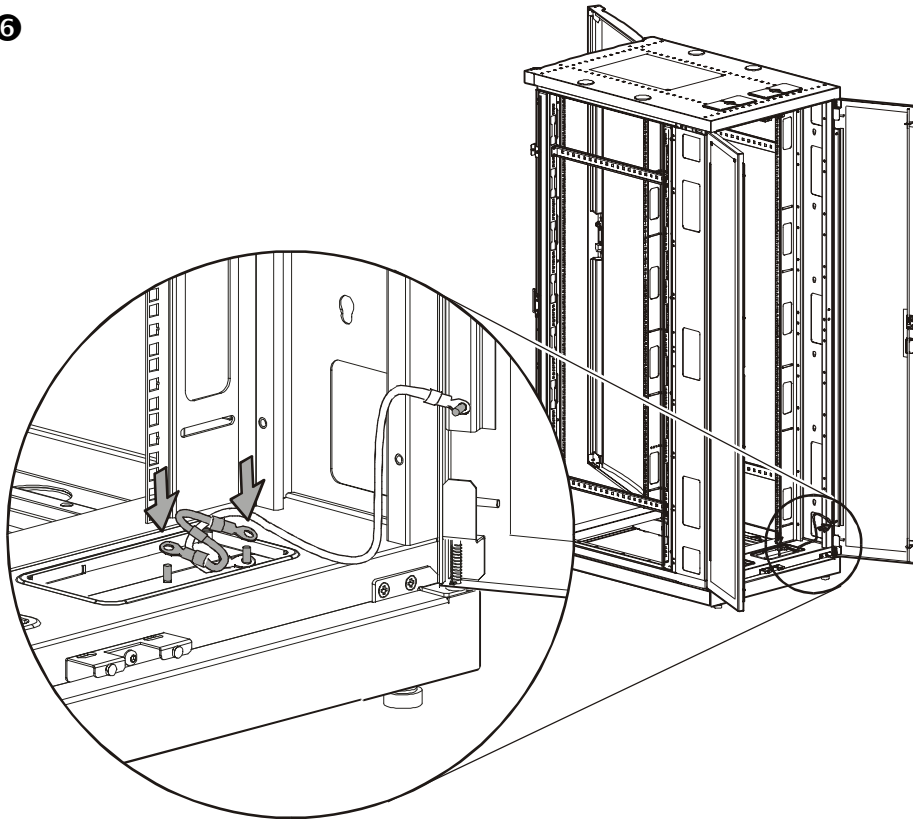
4



5



6



7

