

## Introduction

These instructions describe how to safely install accessory receptacle plate options on Smart-UPS models SU2200, SU2200RM, SU2200RM3U, SU2200XL, SU2200RMXL, SU3000, SU3000RM, and SU3000RM3U. Read these instructions in their entirety before continuing.

## WARNING!



Only experienced service personnel or electricians may perform the following procedure. The electrical terminals exposed in the following procedures will be energized if the UPS is on or plugged in. Make sure the UPS is both unplugged and off.

## Procedure for SU2200, SU2200XL, and SU3000

1. Unpack and inspect the accessory receptacle plate. Notify the carrier and dealer immediately if there is damage. Recycle the packaging or dispose of it properly.
2. Prepare the UPS for installation. Shut down any protected loads (computers, etc.), if present. Unplug all loads from the output receptacles of the UPS.
3. Turn off the UPS. Unplug the UPS from the wall outlet.
4. Unscrew the receptacle plate at the bottom rear of the UPS. Remove only the screws indicated in Figure 1.
5. Pull the plate out gently so that the in-line connectors are accessible.
6. Press the locking tabs on the sides of the connectors and pull the connectors apart. Do not pull on the wires. Set the old plate aside.
7. Align the new receptacle plate behind the UPS so that the large cutout is at the bottom right as shown in Figure 1.
8. **Connect** the matching connectors by holding one connector firmly in each hand and fitting them together. One set of connectors has three pins and the other has four pins, so they cannot be confused. Be sure to seat the connectors fully in place — they lock together with a click.
9. **Replace** the receptacle plate and screws.
10. Plug the UPS back into the wall outlet. Plug the loads back into the UPS and turn the UPS on.

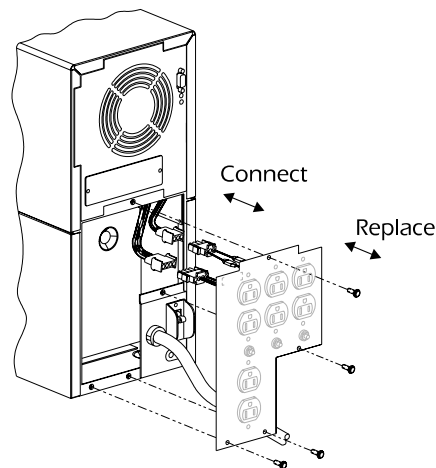
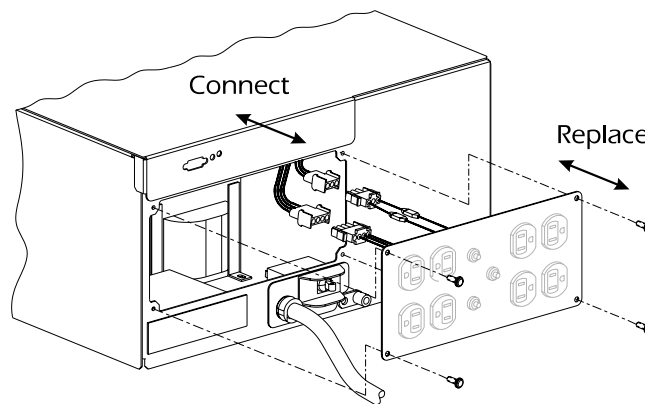


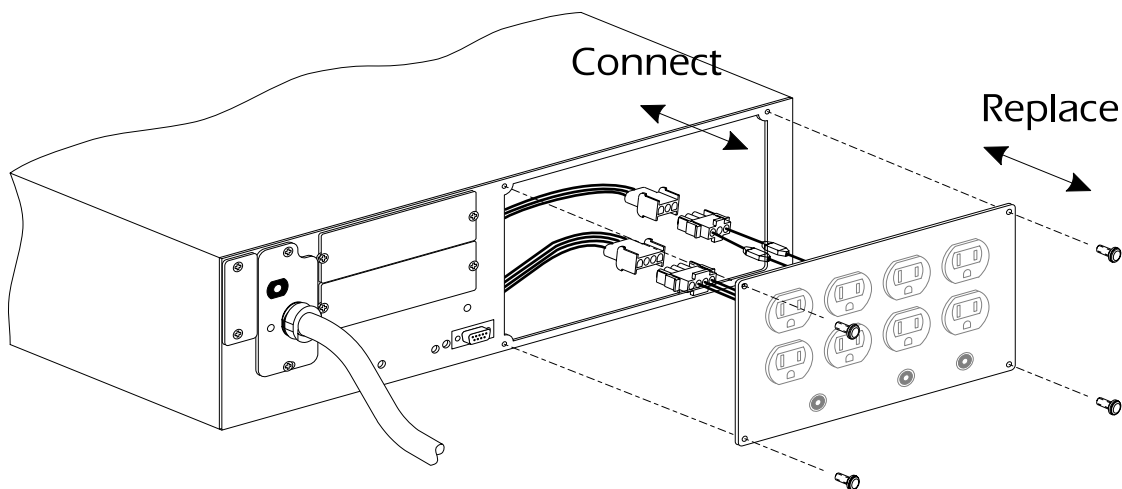
Figure 1

## Procedure for SU2200RM, SU2200RM3U, SU2200RMXL, SU3000RM, and SU3000RM3U

1. Unpack and inspect the accessory receptacle plate. Notify the carrier and dealer immediately if there is damage. Recycle the packaging or dispose of it properly.
2. Prepare the UPS for installation. Shut down any protected loads (computers, etc.), if present. Unplug all loads from the output receptacles of the UPS.
3. Turn off the UPS. Unplug the UPS from the wall outlet.
4. Unscrew the receptacle plate at the rear of the UPS. Remove only the screws indicated below in Figure 2.
5. Pull the plate out gently so that the in-line connectors are accessible.
6. Press the locking tabs on the sides of the connectors and pull the connectors apart. Do not pull on the wires. Set the old plate aside.
7. Align the new receptacle plate behind the UPS as shown in Figure 2.
8. **Connect** the matching connectors by holding one connector firmly in each hand and fitting them together. One set of connectors has three pins and the other has four pins, so they cannot be confused. Be sure to seat the connectors fully in place — they lock together with a click.
9. **Replace** the receptacle plate and screws.
10. Plug the UPS back into the wall outlet. Plug the loads back into the UPS and turn the UPS on.



SU2200RM, SU2200RMXL, and SU3000RM



SU2200RM3U and SU3000RM3U

Figure 2