

## SAVE THESE INSTRUCTIONS!

Thank you for selecting the SurgeArrest Rackmount from American Power Conversion! It is designed to provide the highest degree of protection from utility line spikes, surges and EMI/RFI noise. Please complete and return the enclosed warranty registration card.

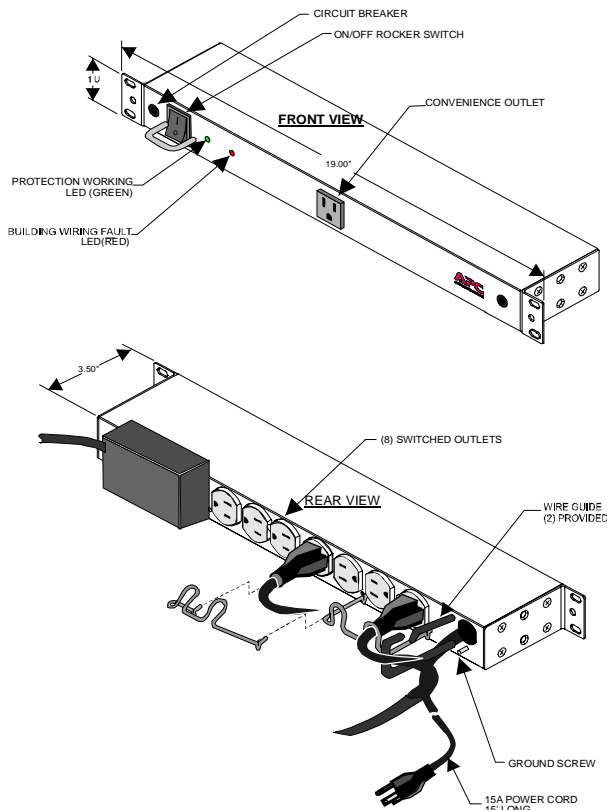
Surges are caused by nearby lightning activity and motor load switching created by air conditioners, elevators, refrigerators, and so on. The SurgeArrest Rackmount filters out EMI/RFI (electromagnetic and radio frequency interference) noise with components whose electrical resistance is very high at radio frequencies. EMI/RFI noise is commonly created by the same activity, which produces surges, and can also be caused by nearby radio transmitters.



### Important Safety, Grounding and Installation Instructions

Before installing the unit, ensure you have read and understand the following safety instructions:

- The SurgeArrest Rackmount suppressor is intended for indoor use only. Do not install this product where it is exposed to excessive moisture or heat.
- Never install any wiring or products during a lightning storm.
- Plug the SurgeArrest Rackmount suppressor into a 3-wire, grounded outlet only. If the **BUILDING WIRING FAULT** indicator is illuminated, contact a qualified electrician to correct the service wiring.
- The SurgeArrest Rackmount is designed to be mounted in a variety of orientations in an equipment rack. Brackets with multiple hole patterns can be easily installed in either a horizontal or vertical orientation, as shown in the diagrams below, and to the right.
- Do not use extension cords or adapters with this product.



SurgeArrest Rackmount -- Front and Rear Views

- Two *Wire Guides* are provided to neatly bundle the line cords of the equipment being protected. Four *Plug Pull-out Guards* are provided. Use these to prevent cords from accidental disconnection from suppressor receptacles, shown in the diagram below.
- The *Switch Guard* prevents power from accidentally being turned off.
- Rack mount ears are included, and are pre-installed for convenience. If required, they can be attached.
- A *15-foot power cord* provides additional convenience in positioning the rack system into place.

### Operation

The **Building Wiring Fault Indicator** (red) will illuminate if the building wiring is faulty, regardless of the position of the On/Off Switch. This indicator signals either: missing ground wiring, the hot and neutral wires are reversed, or the neutral circuit is overloaded. If this indicator is illuminated, a qualified electrician should be called to correct the service wiring. When SurgeArrest Rackmount is fully loaded, the Site Wiring Fault indicator may flicker - this is normal and may not be indicative of a fault. Even if equipment appears to operate normally, faulty wiring could result in a shock hazard that can prevent the SurgeArrest Rackmount from providing rated surge and noise suppression.

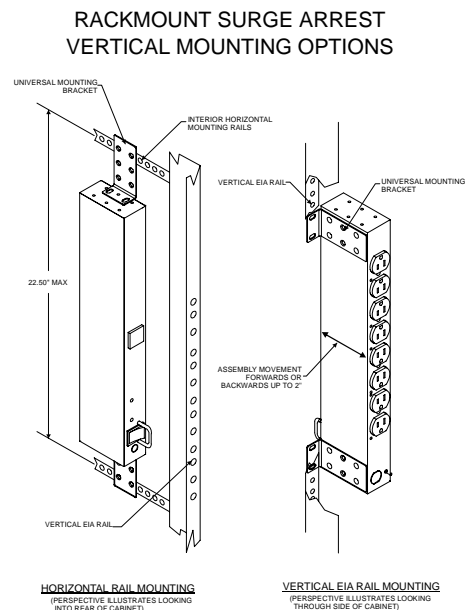
**Note:** The **Protection Working LED** (green) indicator is normally illuminated when the switch is activated. The light is off when SurgeArrest Rackmount has disconnected itself from the utility due to a sustained ultra high energy surge, such as a direct lightning strike. If you observe that this LED indicator is off, first check the Circuit breaker and On/Off Switch to make sure that the suppressor is on and receiving power. If the Protection Working LED still does not light, return the unit to APC to be repaired or replaced.

The **Circuit Breaker** is tripped when the button pops out. This indicates the suppressor is overloaded, and at least one supported device needs to be unplugged. The circuit breaker is rated to trip at the same overload point as most home and office utility service branch protectors (15 Amps).

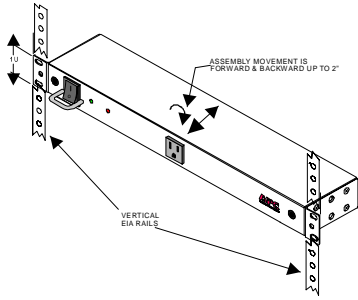
The **On/Off Control** regulates power to the eight switched outlets, and can be used as a system master switch to all nine switched outlets.

### Mounting Procedures

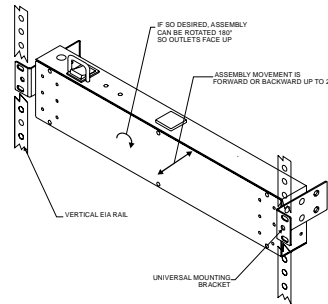
Study the diagrams on this page for rack mounting options. All required brackets and screws are provided.



RACKMOUNT SURGEARREST  
HORIZONTAL MOUNTING OPTIONS



RACKMOUNT SURGEARREST  
REVERSE MOUNTING OPTIONS



## American Power Conversion Limited Factory Warranty Surge Products Factory Warranty

### Terms of Warranty

American Power Conversion warrants its products to be free from defects in materials and workmanship under normal use based on the following terms:

Product	Region	Warranty Period
Protect Net Data Line Surge Protectors	USA, Canada, European Union, UK, Australia, New Zealand	Lifetime of Original Purchaser
	All other Regions	10 Years
Surge Arrest Surge Protectors	USA, Canada, European Union, UK, Australia, New Zealand	Lifetime of Original Purchaser
	All other Regions	5 Years

APC's obligation under this warranty is limited to repairing or replacing, at its sole discretion, any such defective products. This warranty does not apply to equipment that has been damaged by accident, negligence or misapplication, or has been altered or modified in any way. Repair or replacement of a defective product or part thereof does not extend the original warranty period. Any parts furnished under this warranty may be new or factory remanufactured. To obtain service under warranty you must obtain a Returned Material Authorization (RMA) number from APC or an APC Service Center. The product must be returned with an RMA number, with transportation charges prepaid to and from APC or an APC Service Center, and only to the purchaser.

### Non-transferable Warranty

This warranty applies only to the original purchaser who must have properly registered the product. The product may be registered at [warranty.apc.com](http://warranty.apc.com).

### Exclusions

APC shall not be liable under the warranty if its testing and examination disclose that the alleged defect in the product does not exist or was caused by end user or any third person misuse, negligence, improper installation or testing. Further APC shall not be liable under the warranty for unauthorized attempts to repair or modify wrong or inadequate electrical voltage or connection, inappropriate on-site operation conditions, corrosive atmosphere, repair, installation, startup by non-APC designated personnel, a change in location or operating use, exposure to the elements, Acts of God, fire, theft, or installation contrary to APC recommendations or specifications, or in any event if the APC serial number has been altered, defaced, or removed, or any other cause beyond the range of the intended use.

**THERE ARE NO WARRANTIES, EXPRESS OR IMPLIED, BY OPERATION OF LAW OR OTHERWISE, OF PRODUCTS SOLD, SERVICED OR FURNISHED UNDER THIS AGREEMENT OR IN CONNECTION HERewith. APC DISCLAIMS ALL IMPLIED WARRANTIES OF MERCHANTABILITY, SATISFACTION AND FITNESS FOR A PARTICULAR PURPOSE. APC EXPRESS WARRANTIES WILL NOT BE ENLARGED, DIMINISHED, OR AFFECTED BY AND NO OBLIGATION OR LIABILITY WILL ARISE OUT OF, APC RENDERING OF TECHNICAL OR OTHER ADVICE OR SERVICE IN CONNECTION WITH THE PRODUCTS. THE FOREGOING WARRANTIES AND REMEDIES ARE EXCLUSIVE AND IN LIEU OF ALL OTHER WARRANTIES AND REMEDIES. THE WARRANTIES SET FORTH ABOVE CONSTITUTE APC SOLE LIABILITY AND PURCHASER'S EXCLUSIVE REMEDY FOR ANY BREACH OF SUCH WARRANTIES. APC WARRANTIES RUN ONLY TO PURCHASER AND ARE NOT EXTENDED TO ANY THIRD PARTIES.**

**IN NO EVENT SHALL APC, ITS OFFICERS, DIRECTORS, AFFILIATES OR EMPLOYEES BE LIABLE FOR ANY FORM OF INDIRECT, SPECIAL, CONSEQUENTIAL OR PUNITIVE DAMAGES, ARISING OUT OF THE USE, SERVICE OR INSTALLATION, OF THE PRODUCTS, WHETHER SUCH DAMAGES ARISE IN CONTRACT OR TORT, IRRESPECTIVE OF FAULT, NEGLIGENCE OR STRICT LIABILITY OR WHETHER APC HAS BEEN ADVISED IN ADVANCE OF THE POSSIBILITY OF SUCH DAMAGES. SPECIFICALLY, APC IS NOT LIABLE FOR ANY COSTS, SUCH AS LOST PROFITS OR REVENUE, LOSS OF EQUIPMENT, LOSS OF USE OF EQUIPMENT, LOSS OF SOFTWARE, LOSS OF DATA, COSTS OF SUBSTITUTANTS, CLAIMS BY THIRD PARTIES, OR OTHERWISE.**

**NO SALESMAN, EMPLOYEE, OR AGENT OF APC IS AUTHORIZED TO ADD TO OR VARY THE TERMS OF THIS WARRANTY. WARRANTY TERMS MAY BE MODIFIED, IF AT ALL, ONLY IN WRITING SIGNED BY AN APC OFFICER AND LEGAL DEPARTMENT.**

### Warranty Claims

Customers with warranty claims issues may access the APC worldwide customer support network through the APC Web site: [support.apc.com](http://support.apc.com). Select your country from the country selection pull-down menu. Open the support tab at the top of the Web page to obtain contact information for customer support in your region.