

# BTMag™

## Three-Track Secure Bluetooth Magnetic Card Reader

### Expand Your Card Acceptance Opportunities

The BTMag is a secure magnetic stripe reader that communicates with PC's, terminals or mobile devices through their Bluetooth interface. Use the BTMag to read a variety of magnetic media, including credit cards, signature debit cards, gift cards, and loyalty cards.

### Superior MagStripe Reading Performance and Security

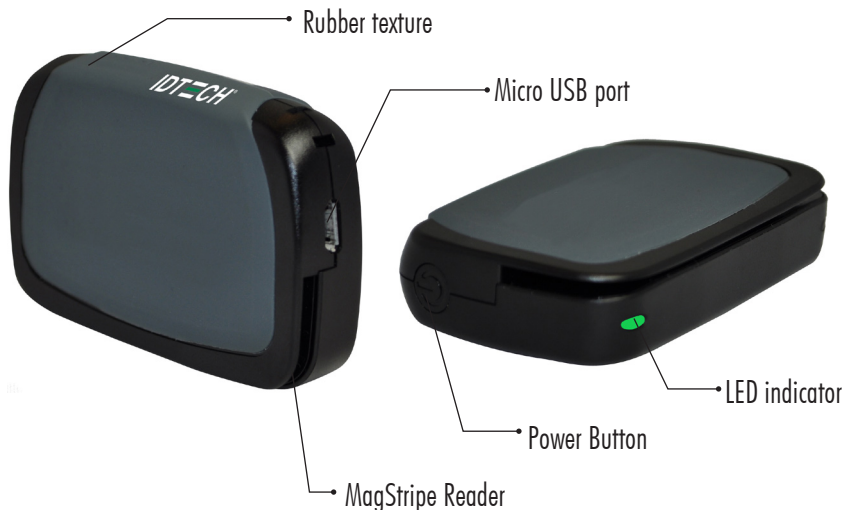
The BTMag utilizes ID TECH's proven MagStripe reading technology, providing bidirectional card reading of up to three tracks of information. The BTMag secures the information with TDES or AES encryption using DUKPT key management, protecting the data at the point of swipe.

### Incredible Convenience and Cost Savings

The ID TECH BTMag allows merchants to provide their customers with another acceptable method of payment, with the capability to swipe credit cards, merchants can save money by avoiding costly card-not-present fees. With the ID TECH BTMag and mobile device, merchants can accept card payments wherever they go.

## Features and Benefits:

- A magnetic stripe reader that communicates with PC's, terminals or mobile devices using Bluetooth
- Supports TDES and AES encryption using DUKPT key management
- Small enough to fit into the palm of your hand
- Silicone rubber provides firm grip support
- Key hold allows for lanyard attachment
- Reads up to three tracks of card data
- Bidirectional card reading
- Red, Blue, and Green LEDs for status
- Bidirectional communication between reader and mobile devices
- Ergonomic design simplifies card swiping
- Convenient battery charging via industry standard USB cables (requires about 2.2 hours for a full charge)
- SDK available for Apple and Android platforms



# BTMag™

## Specifications ID-80125001-00X

### Electrical

Interfaces: Bluetooth

### Environmental

Operating Temperature: 32°F to 131°F (0°C to 55°C) non-condensing  
Storage Temperature: -22°F to 158°F (-30°C to 70°C) non-condensing  
Humidity: Maximum 95% non-condensing, dry storage

### Reliability

Operating Life: 100,000 card swipes minimum  
Warranty: One year, parts and labor

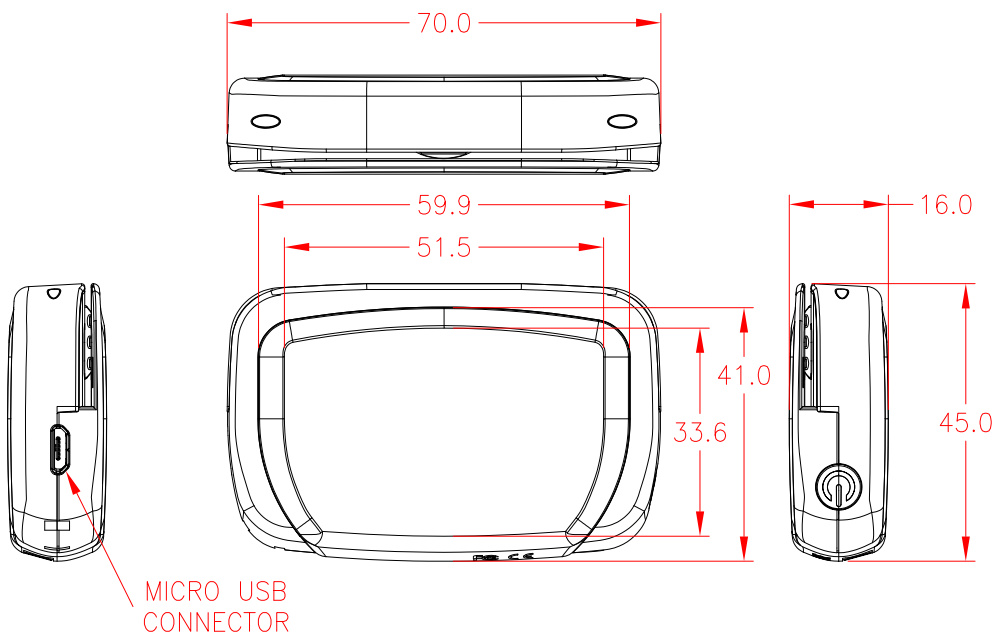
### Mechanical

Dimension (L)x(W)x(H): 2.76 inches (70 mm) x 0.63 inches (16 mm) x 1.77 inches (45 mm)  
Media Thickness: 0.025 inches (0.635 mm) to 0.035 inches (0.889 mm)  
Media Formats: ISO 7811 and AAMVA  
Swipe Speed: 5 to 60 inches per second, bidirectional  
Weight: 0.082 lbs (1.13 oz)

### Battery

Standby Mode: Up to 8 hours  
Active Mode: Up to 4 hours  
Charging: 2.2 hours required for a full charge

Footprint:



### United States Sales Office

#### Corporate Headquarters

10721 Walker Street  
Cypress, CA 90630  
Phone: (714) 761-6368  
Toll Free: (800) 984-1010  
Fax: (714) 761-8880  
sales@idtechproducts.com

### International Sales Offices

#### Asia

+866-3-496-6988 (Taiwan)  
asia@idtechproducts.com.tw

#### Canada

+450-465-5261  
robertop@idtechproducts.com

#### South America

+55-11-3079-2255  
internationalsales@idtechproducts.com

#### Europe

Germany & United Kingdom  
emea@idtechproducts.com

### ISO 9001 Certified



Value through Innovation

www.idtechproducts.com