

CISCO AIRONET 1300 SERIES OUTDOOR ACCESS POINT/BRIDGE POWER INJECTOR

PRODUCT OVERVIEW

The Cisco Aironet 1300 Series Outdoor Access Point/Bridge Power Injector, as seen in Figure 1, converts the standard 10/100 BaseT Ethernet interface that is suitable for weather protected areas to a dual F-Type connector interface for coax cables that are more suitable for harsh outdoor environments. The Power Injector also provides power to the outdoor unit over the same cables with a power discover feature and surge protection. To support longer cable runs from your wireless network switch or router, the Power Injector enables total cable runs up to 200 meters (Category 5 Cable + Coax). The Cisco Aironet 1300 Series Outdoor Access Point/Bridge ships with the Power Injector LR2 and an AC power supply.

Figure 1

Power Injector AIR-PWRINJ-BLR2/AIRPWRINJ-BLR2T



The optional Power Injector LR2T takes power from any 12-40 VDC source, not supplied by Cisco. Typically, the DC source is vehicle or solar power source connected as shown in Figure 3. The Power Injector provides for installation flexibility when an AC power source is not available.

Figure 2
Network Diagram for Power Injector AIR-PWRINJ-BLR2

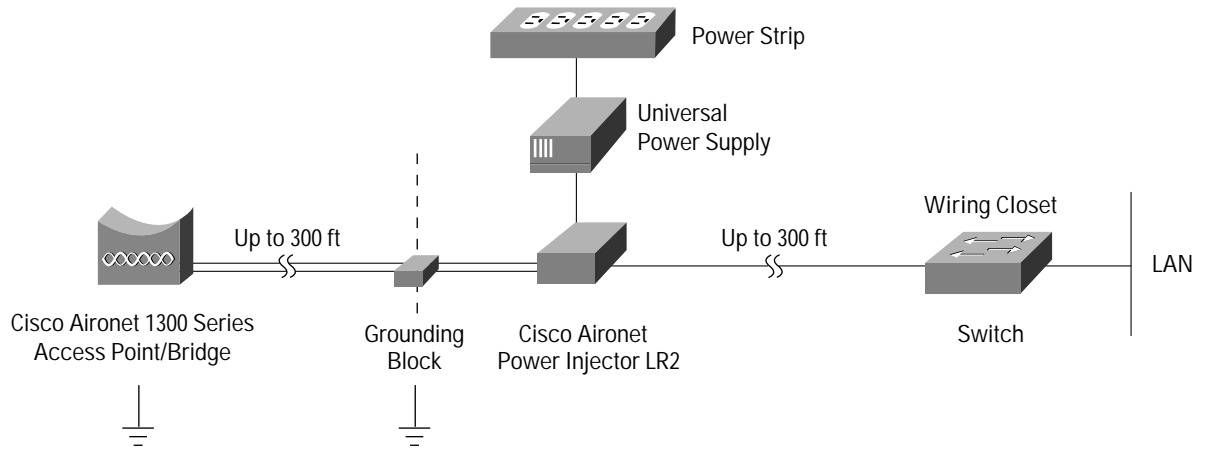
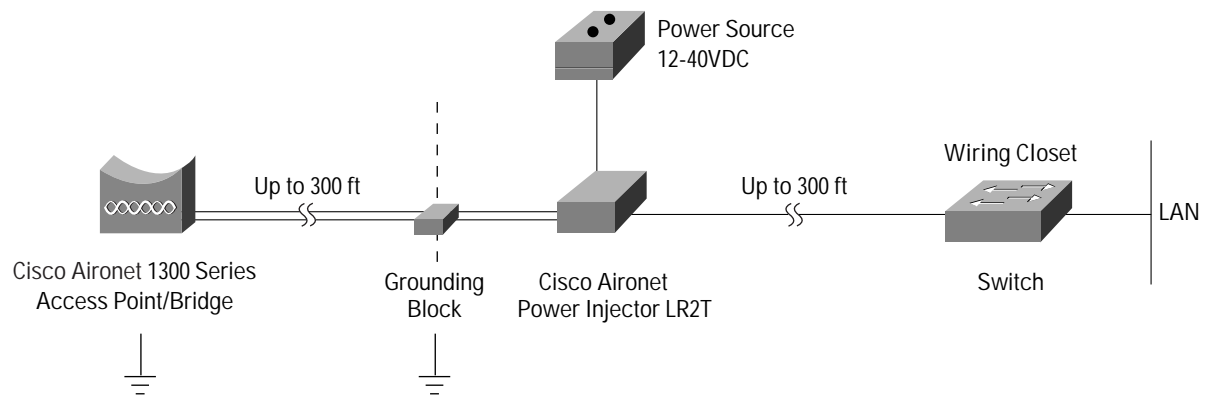


Figure 3
Network Diagram for Optional Power Injector AIR-PWRINJ-BLR2T



PRODUCT SPECIFICATIONS

Table 1

Power Injector-LR2

The Power Injector LR2 converts the standard 10/100 BaseT Ethernet category 5 RJ-45 interface that is suitable for weather-protected areas to a dual F-Type connector interface for dual coaxial cables that are more suitable for harsh outdoor environments. While providing a 100baseT interface to the Cisco Aironet 1300 Series, the Power Injector LR2 also provides power to the unit over the same cables with a power discovery feature that protects other appliances from damage should they accidentally be connected. As an added benefit to the installer, Auto MDIX is built in, allowing the dual cables to be swapped and while maintaining the same functionality. To support longer cable runs from your infrastructure network switch or router, the Power Injector LR is designed to accommodate up to a 100 meter coaxial cable run plus 100 meters of indoor cat5 cable—enabling total cable runs up to 200 meters. Lightning and surge protection is also included at the F-Type connector interface to provide added protection to your network infrastructure devices. The LR2 Power injector requires a Cisco supplied 48V DC source.

Table 1 (Continued)

Power Injector-LR2T	The Power Injector LR2T supports all the functionality of LR2. It is designed for use in transportation applications and operates with an input voltage range of +12 to +40VDC. The DC source is provided by the user. The LR2T can therefore be vehicle or solar powered.
Power Supply	Cisco supplied +48 VDC supply for AIR-PWRINJ-BLR2= User supplied +12 to +40 VDC source for AIR-PWRINJ_BLR2T=. Requires an external load-dump-module.

Network Management

Table 2

	AIR-PWRINJ-BLR2 AIR-PWRINJ-BLR2T
Status LEDs	One LED: <ul style="list-style-type: none"> • Power Status
Configuration and Management	The power injector does not require configuration or management.

Physical

Table 3

	AIR-PWRINJ-BLR2	AIR-PWRINJ-BLR2T
Dimensions	4.62 in x 4.76 in x 1.07 in (11.73cm x 12.09cm x 2.71cm)	4.62 in x 4.76 in x 1.07 in (11.73cm x 12.09cm x 2.71cm)
Weight	2 lbs. (1 kg)	2 lbs. (1 kg)
Operational Temperature	-30° to +55°C (-22° to 131°F)	-30° to +55°C (-22° to 131°F)
Storage Temperature	-40° to +85°C (-40° to +185°F)	-40° to +85°C (-40° to +185°F)
Operational Altitude	3047 m (10,000 ft.)	4206 m (13,800 ft.)
Storage Altitude	4877 m (16,000 ft.)	4877 m (16,000 ft.)
Humidity	0 to 90% @ 38°C (non-condensing)	0 to 90% @ 38°C (non-condensing)
Vibration	SAEJ1455 section 4.9	SAEJ1455 section 4.9
Enclosure	UL2083; Metal case	UL2083; Metal case

Power

Table 4

	AIR-PWRINJ-BLR2	AIR-PWRINJ-BLR2T
AC Power	100 to 240 VAC, +/-10% (Cisco supplied power supply)	Not required
DC Power	+48 VDC, +/- 10% 2 Watts	+12 to +40 VDC, +/-10% 2 Watts

ORDERING INFORMATION

To place an order, visit the [Cisco Ordering Home Page](#). For assistance in determining the correct wireless access point/bridge to order, contact your local account representative.

Table 5

Product Name	Product Part Number
Aironet Power Injector—LR2	AIR-PWRINJ-BLR2=
Aironet Power Injector—LR2T	AIR-PWRINJ-BLR2T=
Power Supply In:100-240VAC Out:48VDC	AIR-PWR-A=

TO DOWNLOAD THE SOFTWARE

Visit the [Cisco Software Center](#) to download Cisco IOS™ Software. Cisco Aironet software can be downloaded at [Wireless Software](#).

SERVICE AND SUPPORT

Cisco offers a wide range of services programs to accelerate customer success. These innovative services programs are delivered through a unique combination of people, processes, tools, and partners, resulting in high levels of customer satisfaction. Cisco services help you to protect your network investment, optimize network operations, and prepare the network for new applications to extend network intelligence and the power of your business. For more information about Cisco Services, see [Cisco Technical Support Services](#) or [Cisco Advanced Services](#).

FOR MORE INFORMATION

For more information about the Cisco Aironet 1300 Series Outdoor Access Point/Bridge, contact your local account representative.

CISCO SYSTEMS



Corporate Headquarters
Cisco Systems, Inc.
170 West Tasman Drive
San Jose, CA 95134-1706
USA
www.cisco.com
Tel: 408 526-4000
800 553-NETS (6387)
Fax: 408 526-4100

European Headquarters
Cisco Systems International BV
Haarlerbergpark
Haarlerbergweg 13-19
1101 CH Amsterdam
The Netherlands
www-europe.cisco.com
Tel: 31 0 20 357 1000
Fax: 31 0 20 357 1100

Americas Headquarters
Cisco Systems, Inc.
170 West Tasman Drive
San Jose, CA 95134-1706
USA
www.cisco.com
Tel: 408 526-7660
Fax: 408 527-0883

Asia Pacific Headquarters
Cisco Systems, Inc.
168 Robinson Road
#28-01 Capital Tower
Singapore 068912
www.cisco.com
Tel: +65 6317 7777
Fax: +65 6317 7799

Cisco Systems has more than 200 offices in the following countries and regions. Addresses, phone numbers, and fax numbers are listed on the Cisco Web site at www.cisco.com/go/offices

Argentina • Australia • Austria • Belgium • Brazil • Bulgaria • Canada • Chile • China PRC • Colombia • Costa Rica • Croatia • Cyprus
Czech Republic • Denmark • Dubai, UAE • Finland • France • Germany • Greece • Hong Kong SAR • Hungary • India • Indonesia • Ireland
Israel • Italy • Japan • Korea • Luxembourg • Malaysia • Mexico • The Netherlands • New Zealand • Norway • Peru • Philippines • Poland
Portugal • Puerto Rico • Romania • Russia • Saudi Arabia • Scotland • Singapore • Slovakia • Slovenia • South Africa • Spain • Sweden
Switzerland • Taiwan • Thailand • Turkey • Ukraine • United Kingdom • United States • Venezuela • Vietnam • Zimbabwe

All contents are Copyright © 1992-2004 Cisco Systems, Inc. All rights reserved. Cisco, Cisco Systems and the Cisco Systems logo are registered trademarks of Cisco Systems, Inc. and/or its affiliates in the United States and certain other countries.

All other trademarks mentioned in this document or Website are the property of their respective owners. The use of the word partner does not imply a partnership relationship between Cisco and any other company.
(0403R) 203179_ETMG_JS_05.04