

LPN 1736 SERIES

FEATURES

- Omni-directional scanning
- 1000 scans per second
- 3" x 3" footprint
- Flexible mounting options
- Multiple on-board interfaces
- AutoSense operation
- Concentrated 20-line scan pattern



MINI OMNI-DIRECTIONAL LASER SCANNER

The miniature LPN 1736 omni-directional laser scanner is one of the smallest, hands-free scanners available with a footprint requiring less than 3" by 3".

This state-of-the-art scanner operates at 1000 scans per second using 32-Bit microprocessor technology. The small size allows the scanner to fit into the tightest locations making it ideal for a wide range of uses from industrial environments to retail POS applications.

Omni-directional scanning allows quick hands-free scanning without the need for bar code orientation. The concentrated 20-line scan pattern provides fast, "can't miss" operation even for inexperienced users.

The LPN 1736 boasts one of the industry's smallest footprints requiring less than 9 square inches of space.

The LPN 1736 automatically recognizes and decodes most popular bar code symbologies. Programmable parameters allow the user to easily configure the scanner to match the specific application.

The adjustable table/wall stand provides convenient placement for hands-free scanning and can be mounted to vertical or horizontal surfaces.

On-board industry standard interfaces and interchangeable cables add to the flexibility. Custom cable lengths, connector types and pinouts are available on field replaceable cables to match your specific installation.

"Because our scanners perform a vital task, we chose Opticon."

OUR PROMISE

At Opticon, our mission is to provide bar code scanning products that are easy to use, built-to-last, fit your exact requirements and are supported by an experienced, responsive team of professionals. We believe that accomplishing our mission is dependent upon operating with a set of important core values—Passion, People, Creativity and Teamwork. All our employees work to understand and apply these values in everything that they do.

LPN 1736 SERIES

MINI OMNI-DIRECTIONAL LASER SCANNER

OPTICAL

Light Source	Visible Laser Diode, $\lambda = 650 \text{ nm}$
Scan Speed	1000 scans/sec
Scan Method	Rotating Polygon Mirror
Scan Pattern	20 lines
Min Resolution	0.13 mm (5 mil) at PCS 0.9
Min PCS Value	0.45

ELECTRICAL

Operating Voltage	5 VDC \pm 5%
Current	
Operating	900 mA typical / 1200 mA max
Standby	430 mA
Interface	RS232, USB, Keyboard Wedge

ENVIRONMENTAL

Temperature	
Operating	0 to +40° C (+32 to +104° F)
Storage	-10 to +60° C (+14 to +140° F)
Humidity (non-condensing)	
Operating	20 to 80%
Storage	20 to 90%
Regulatory	ISO 9002 certified mfg. facility Conforms to 21 CFR 1040.1 and 21 CFR 1040.11, CDRH Class IIa CE Certified, FCC Class B

PHYSICAL

Dimensions (W x L x H)	71 x 79 x 100 mm (2.8 x 3.1 x 3.9 in)
Weight	200 g (7.2 oz) (without cable)

ORDERING INFORMATION

Part Number	Description
LPN1736RR1S-K01	RS232 Omni Scanner Kit*
LPN1736RU1S-K01	USB Omni Scanner Kit*
LPN1736RWES-K01	Wedge Omni Scanner Kit*

* Kit consists of scanner, cable, power supply, stand and quick start guide.

Alternate connectors and pinouts are available to match your application. Ask for details.

PINOUT (RS232)

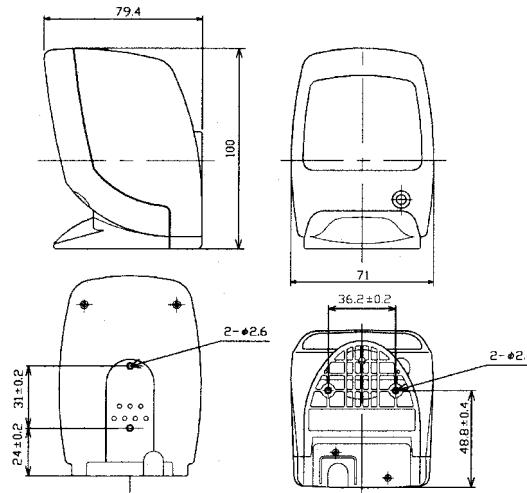
DB9 Female Connector

Pin	Function
2	SD
3	RD
5	Signal Ground
7	CTS
8	RTS
9	+5 VDC

SYMBOLOGIES

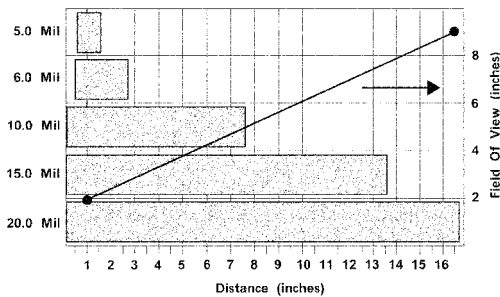
Code 39
Code 93
Code 128
Industrial 2 of 5
Interleaved 2 of 5
UPC-A
UPC-E
JAN
EAN
MSI / Plessey
Codabar (NW-7)

GENERAL MECHANICAL LAYOUT



All dimensions given in mm

READING RANGE (TYPICAL)



WARRANTY

The LPN 1736 is warranted for a period of one (1) year including parts and workmanship. Visit our web site for details.

TECHNICAL SUPPORT / SALES

Opticon's experienced, well trained technical support team is available to answer questions and assist you in every way possible in support of our products. Call today to find out how the scanner can be adapted to your design: 800.636.0090, or visit our web site at www.opticonUSA.com.

25-DLPNMU01-01 Rev A

Specifications subject to change without prior notice.

OPTICON, INC.

8 Olympic Drive Orangeburg, NY 10962
Toll Free 800.636.0090 Tel 845.365.0090 Fax 845.365.1251

www.opticonUSA.com



CUSTOM-BUILT. BUILT TO LAST.