

The OPD 7435 is a 2D reader that benefits from having the lowest power consumption in it's class. As well as supporting traditional linear and 2D/ Matrix codes, the OPD 7435 can also decode composite codes, such as RSS-14 CC-A. It is an ideal solution for most cabled applications within Hospital and Laboratory environments. A particularly useful feature of the OPD 7435 is it's ability to read codes directly from the LCD display of mobile phones, making it an ideal choice for such applications in the Retail sector.

2D

OPD 7435

Handheld 2D gun reader



Features

- Low power consumption
- Supports 1D, 2D and Composite codes
- Serial (RS232C), Keyboard Wedge, USB interfaces available
- IP 42 rated
- High and low density version
- Will read codes on Mobile Phone LCD's

Benefits

- Energy efficient
- Flexible and extensible
- Easy connectivity
- Tough construction
- Enhanced performance options
- Robust imaging technology

Cabled

Wireless

Stationary

OEM

OPTICON
always scanning for new ID's

Specifications

OPD 7435 Handheld 2D gun reader

Electrical specifications

Voltage requirement: DC 5 V ± 5%

Optical specifications

Light source: 4 red LEDs 630 nm

Scan method: CMOS area sensor (monochrome)

Target indicator: 2 Red LED pointers

Reading pitch angle: LD/HD: -65 - 0°, 0 - +65°

Reading skew angle: LD: -75 - 0°, 0 - +75° / HD: -70 - 0°, 0 - +70°

Reading rotation angle: LD/HD: 360°

Curvature: R>15 (EAN8), R>20 (EAN13)

Min. Resolution at PCS 0.9: LD: 0.127 mm, 5 mil (Code 39 / PDF417), HD: 0.1mm, 3.9 mil (Code 39) 0.127mm, 5 mil (PDF417)

Min. PCS value: 0.45

Depth of field: LD: 41 - 241 mm / 1.61 - 9.48 inches (Res. 0.254), 52 - 124 mm / 2.04 x 4.88 inches (Res. 0.127), HD: 39 - 127 mm / 1.53 - 5.00 inches (Res. 0.254), 31 98 mm / 1.22 x 3.85 inches (Res. 0.127), bij PCS 0.9, PDF41

Field of view: LD: horizontal: 31°, vertical: 23° / HD: horizontal: 30°, vertical: 22°

Identification

Supported barcode symbologies (1D): JAN/UPC/EAN - UPC+2/+5 - EAN+2/+5 - NW-7 - Codabar - Code 39 - Code 93 - Code 128 - IATA - Industrial 2of5 - Interleaved 2of5 - MSI/Plessey - RSS-14 (Standard/Truncated/Stacked/Stacked Omnidirectional) - RSS Limited - RSS Expanded (Standard/Stacked) | Composite code: EAN-8(CC-A/CC-B) - EAN-13(CC-A/CC-B) - EAN-128(CC-A/CC-B/CC-C) - UPC-A(CC-A/CC-B) - UPC-E(CC-A/CC-B) - UCC(CC-A/CC-B/CC-C) - RSSExpanded(CC-A/CC-B) - RSS-Limited(CC-A/CC-B)

Supported 2D code symbologies: Aztec Code - Aztec Runes - Data Matrix (ECC200/EC0-140) - Maxi Code (mode 2-5) - MicroPDF417 - PDF417 - QR code

Functionality

Trigger mode: Auto trigger

Communication specifications

Interfaces: Keyboard Wedge, RS232C, USB (HID)

Environmental specifications

Temperature in operation: 0 - +40 °C / +32 - +104 F (if USB interface 0 - +50 °C / +32 - +122 F)

Temperature in storage: -10 - +60 °C / +14 - +140F

Humidity in operation: 5 - 90 % (non condensing)

Humidity in storage: 5 - 95 % (non condensing)

Ambient fluorescent light immunity: 10,000 lx max.

Ambient direct sun light immunity: 100,000 lx max.

Shock drop test: 1.8 m drop onto concrete surface

Protection against dust and moisture, According to IEC529: IP 42

Physical specifications

Dimensions: 149 x 56 x 129 mm / 5.86 x 2.20 x 5.07 inches

Weight body: Ca. 120 g / 0.26 pounds

Connector Keyboard Wedge: Mini Din 5 F/ 6 M with external power

Connector RS232: DB9 F with external power

Connector USB: USB-A

Regulatory

EMC: EN 55022, EN 55024, CE Certified, FCC Part 15 Class B, ISO9002 Certified Mfg. Facility

Typical performance based on good quality symbols in normal room temperature and light conditions.

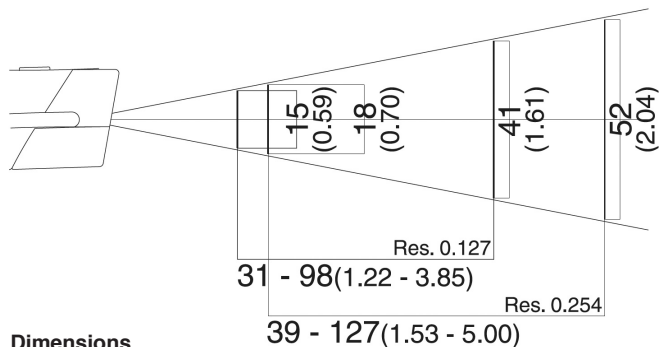
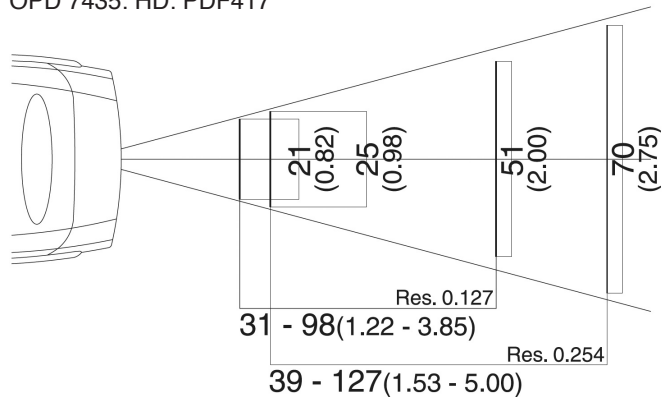
Enclosed items

Power supply: AC90-264V for Keyboard Wedge, RS232C interface

Depth of field

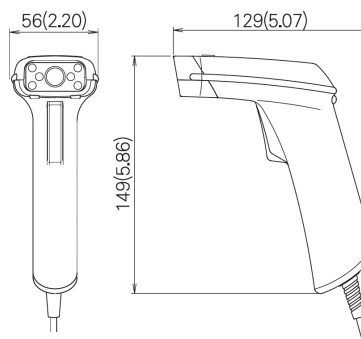
The reading width is a calculated value and is for guidance only.
Unit: mm (inches)

OPD 7435: HD: PDF417



Dimensions

Unit: mm (inches)



Accessories

Sold separately

Auto trigger stand: ST-80

© Copyright Opticon Sensors Europe B.V. All rights reserved. This information is subject to change without prior notice.

- **The Netherlands:** Hoofddorp
 - **France:** ISSY Les Moulineaux CEDEX
 - **Germany:** Mainhausen
 - **Italy:** Castel Maggiore (BO)
 - **Spain:** Valencia
 - **Sweden:** Järfälla
 - **United Kingdom:** Luton, Bedfordshire
 - **U.S.A.:** Orangeburg NY, Seattle WA
 - **Japan:** Warabi City

- **Taiwan:** Taipei
 - **P.R.China:** Shanghai
 - **Australia:** Lane Cove

Opticon Inc.
 8, Olympic Drive,
 Orangeburg NY 10962 - 2511

phone: toll free: 800-636-0090
 local: 845-365-0090
 fax: 845-365-1251
 email: sales@opticonUSA.com
 internet: www.opticonUSA.com

www.opticonUSA.com

OPTICON

always scanning for new ID's