

OPV 1001

Omni-Directional Scanner



An omni-directional barcode scanner that provides the flexibility to switch between handheld and presentation modes and has a small form factor that conserves valuable work space.

Product Features

Small Footprint with Mounting Flexibility

In addition to a small-footprint and low-profile (with or without stand), the OPV 1001 has the flexibility to be mounted as desired by using the mounting holes located on the base and rear of the scanner.

Power Savings for Enhanced Value

The OPV 1001 has fully configurable power saving options that allow it to hibernate while not in use, yet instantly comes alive when it detects a barcode.

Powerful Processor for Greater Speed

The OPV 1001 includes a powerful processor and 20-line omni-directional scan pattern that allows it to read barcodes from any orientation, quickly and efficiently.

Application Versatility on Demand

With its unique blend of performance, ergonomics and low cost, the OPV 1001 is designed to fit a wide range of applications as required.

Cabled

Mobile

Stationary

OEM

OPTICON
always scanning for new ID's

Specifications: OPV 1001 Omni-Directional Scanner

Electrical

Voltage requirement: 5V ± 5%
 Current consumption: 500 mA (max via USB)

Optical

Light source: 650 nm laser diode
 Scan method: omni-directional
 Scan rate: 1000 scans/sec
 Reading pitch angle: ±35°
 Reading skew angle: -50 to -8°; 8 to 50°
 Reading rotation angle: 360° (dependent on height of barcode)
 Curvature: R > 20 mm (EAN8), R > 25 mm (EAN13)
 Reading width: dependent upon reading depth and barcode resolution
 Min. Resolution: 0.127 mm / 5 mil (PCS 0.9)
 Min. PCS value: 0.45
 Depth of field at PCS 0.9 Code 39:
 10 - 360 mm / 0.39 - 14.17 in (Res. 0.66 mm / 26 mil)
 10 - 200 mm / 0.39 - 7.87 in (Res. 0.33 mm / 13 mil)
 10 - 90 mm / 0.39 - 3.54 in (Res. 0.2 mm / 8 mil)
 20 - 60 mm / 0.79 - 2.36 in (Res. 0.127 mm / 5 mil)
 Field of view: 22° (horizontal), 12° (vertical)

Symbologies

1D: JAN/UPC/EAN (WPC incl. add-on), Chinese Post, Codabar/NW-7, Code 11, Code 39, Code 93, Code 128, IATA, Industrial 2of5, Interleaved 2of5, ISBN-ISMN-ISSN, Matrix 2of5, MSI/Plessey-UK/Plessey, S-Code, Telepen, Tri-Optic

Functionality

Trigger mode: Auto, external hardware, manual, serial software

Communication

Interface: RS-232C, USB(HID/VCP), Wedge

Environmental

Operating temperature: 0 to 40 °C / 32 to 104 °F
 Storage temperature: -30 to 60 °C / -22 to 140 °F
 Operating humidity: 20 - 90 % (non-condensing)
 Storage humidity: 20 - 90 % (non-condensing)
 Ambient light immunity: 3,000 lx (fluorescent)
 3,000 lx (incandescent)
 20,000 lx (sunlight)
 Antistatic electricity: 8 kV (non-destructive)
 Shock drop test: 1 m / 3.3 ft onto concrete surface

Physical

Dimensions: 1 x 79.4 x 100 mm / 2.8 x 3.13 x 3.94 in
 Weight: 200 g / 7.1 oz (excl. cable)
 Connector RS232: DB9 F with external power
 Connector USB: USB-A
 Connector Wedge: MiniDIN6 F with external power

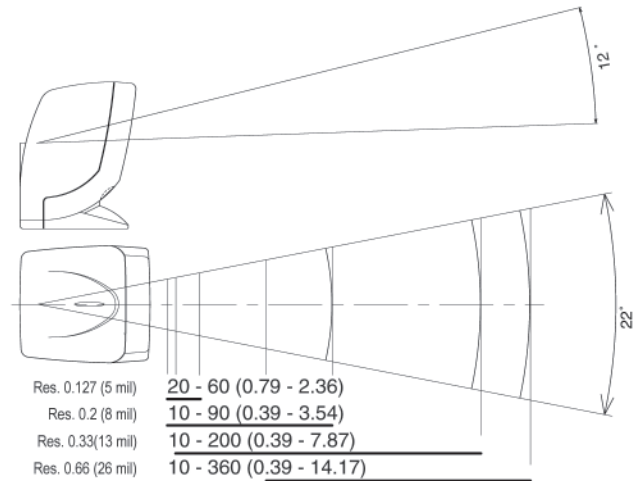
Regulatory

Product compliance: CE, FCC, VCCI, RoHS

Typical performance based on good quality symbols in normal room temperature and light conditions.

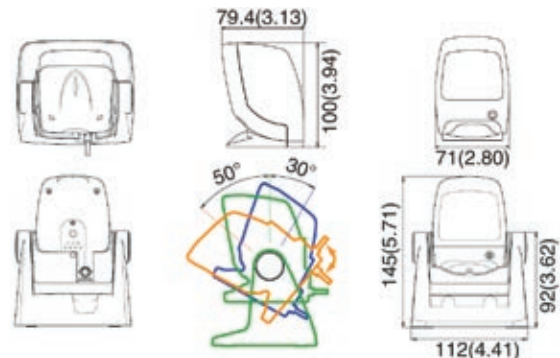
Depth of field

The reading width is a calculated value and is for guidance only.
 Unit: mm (in)



Dimensions

Unit: mm (in)



Accessories (sold separately)

Power supply: 5V/2A (Power for RS232 / Wedge)