

POS X
POINT OF SALE
SIMPLIFIED

EVO TP4 TruFlat

POS Terminal

The EVO TP4 TruFlat sets a whole new standard by offering enterprise-class build quality, resistive and projected capacitive touch screen technologies, and the latest in high-performance Intel® processors. Available with Atom™, Celeron™, Pentium™, or Core i3™ Dual-Core processors, the EVO TP4 thrives in the most demanding environments. Achieving an IP54 certified rating, the EVO TP4 is both dust and splash resistant.



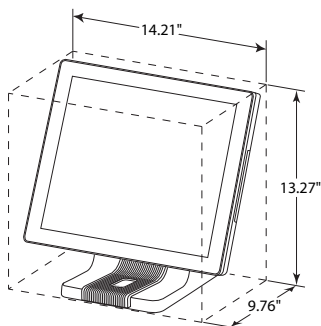
Key Features

- Available with Intel® Atom™, Celeron™, Pentium™, or Core™ i3 Dual-Core Processors
- 15" zero bezel, 5-wire resistive or Projected Capacitive(PCAP) touchscreen technology
- Built in cable management keeps cords out of sight
- EZHD Slot makes for quick HDD or SSD replacement
- IP54 Rating—Resistant to dust buildup and splashing water
- Rigid Die-cast aluminum alloy frame provides bump-free operation
- 3-Year Warranty includes 2-Day Advance Replacement Protection

POS terminal

EVO TP4 TruFlat POS Terminal Specifications

5-Wire Resistive Models	EVO-TP4C-D	EVO-TP4C-C	EVO-TP4C-P	EVO-TP4C-3
PCAP Models	EVO-TP4D-D	EVO-TP4D-C	EVO-TP4D-P	EVO-TP4D-3
MOTHERBOARD	C56	C68	C68	C68
CPU	Intel® Atom D2550 1.86Ghz Dual Core	Intel® Celeron G530 2.4GHz Dual Core	Intel® Pentium G850 2.9GHz Dual Core	Intel® Core i3-2120 3.3GHz Dual Core
Chip Set	CPU with Graphic built-in + ICH 8M	Intel® Q67 PCH/H61 PCH		
System Memory	2-4 GB DDR3	4-8 GB DDR3		
Video	Integrated Intel® GMA® 3650, DX9	Intel® HD Graphics 3000/2000		
PORTS				
Parallel	1 x Parallel Port			
USB	4 x USB2			
Serial	4 x RJ45 COM (5V/12V)			
LAN	1 - 10/100/1000 LAN	2 x 10/100/1000 LAN		
VGA	1 x VGA Port			
Cash Drawer Port	1 x RJ11 (12V/24V cash drawer) - supports 2 cash drawers with Y-Cable (not included)			
Speakers	2 x 2W Stereo			
HARD DRIVE	2.5" Easy Access Slot: 250GB HDD or 60-120 GB SSD			
PHYSICAL				
Housing	Die Cast Aluminum			
Weight	15 lbs	15.4 lbs		
Dimensions with Base	14.21"(361mm) (w) x 9.76"(248mm) (D) x 13.27"(337mm) (H)			
VESA Wall Mountable	100mm x 100mm			
Tilt Angle	0° to 90°			
Housing Color	Black			
Bezel	TruFlat Zero Bezel			
LCD Display	15" 1024 x 768 pixel, 16.7M colors 300 nits			
Resistive Touch (TP4C)	5-Wire Resistive			
PCAP Touch (TP4D)	Projected Capacitive Touch (PCAP)			
ELECTRICAL	Ext. 90W 19V 4.74 A	120W External, 19V 6.32A		
ENVIRONMENTAL				
Ingress Protection Rating	IP54—Resistant to dust buildup and splashing water			
Temperature	41°F to 95°F operating			
Humidity	20%–80% non-condensing			
WARRANTY	3-Year Warranty with 2-Day Advance Replacement Protection Service			
CERTIFICATIONS	FCC, Class A, CE, LVD, RoHs			
OPERATING SYSTEM	POS Ready 2009 & 7/Win 7 Pro/Available with no O/S			



ACCESSORIES	
EVO-MR4-U	3 Track MSR with USB interface
EVO-BR4	Integrated Bio Reader
EVO-RD4-VFD	Integrated 2x20 Customer Display
EVO-RD4-LCD8	Integrated Rear Display, 8.4" LCD w/VGA Cable & Mount
EVO-RD4-LCD15	Integrated Rear Display, 15" LCD w/VGA Cable & Mount
EVO-XZ4-M100	Universal VESA Mount for All Terminals & Touch Monitors