

# POS X

POINT OF SALE  
SIMPLIFIED

## ION TP2

### POS Terminal

The ION TP2 is part of the cost-effective, high performance POS-X ION Series. A sleek aesthetic combined with an ultra stable Intel® Atom™ dual core processor and solid fanless construction make the ION TP2 a quality machine at an attractive price. Powerful yet energy-efficient, the ION TP2 is the perfect choice for any application requiring a dependable and affordable solution.



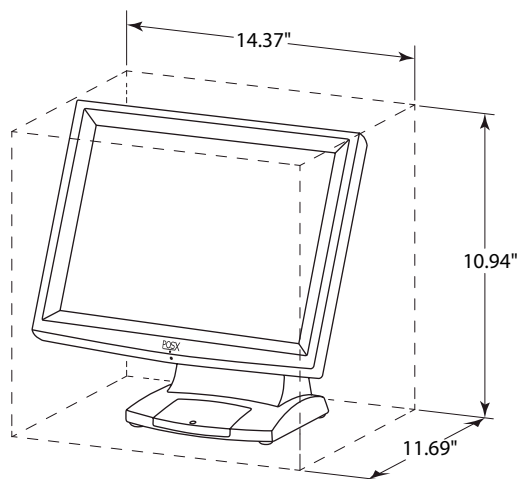
#### Key Features

- Stable Intel® Atom™ dual core D2550 1.86Ghz processor
- 2.5" 250 GB HDD (160 GB SSD available)
- 2 GB DDR3 RAM (4 GB upgrades available)
- 15" active matrix touch display
- Fanless—Ideal for dusty or dirty environments
- Energy efficient—Maximum 65 Watt power consumption
- Optional integrated MSR, VFD customer display or 8.4" rear LCD
- 3-Year Warranty includes 2-Day Advance Exchange Service

ION TOUCHPC

# ION TP2 POS Terminal Specifications

<b>PART NUMBER SERIES</b>	ION-TP2
CPU	Intel® Atom 2550 dual core 1.86 Ghz processor
Chip Set	Intel® 945 GSE Express + ICH7M
System Memory	2 GB DDR 3 SO DIMM (upgradeable to 4 GB)
Video	Integrated Intel® GMA® 3650 Graphics Engine GFX frequency up to 640 Mhz
<b>PORTS</b>	
USB	6 x USB 2.0
Serial	3xRJ45 COM (Com1, Com2, Com3, Com4 with 5V/12V)
LAN	1 Realtek RTL8111C-GR 10/100/1000 baseT LAN
VGA	1 x Additional VGA Port
Cash Drawer Port	1 x RJ11 (12V/24V cash drawer)
<b>HARD DRIVE</b>	2.5" 250 GB HDD (60-120 GB SSD also available)
<b>PHYSICAL</b>	
Housing	ABS
Weight with Base	12.13 lbs
Dimensions with Base	14.37" (W) x 10.94" (D) x 11.69" (H)
VESA Wall Mountable	75mm x 75mm
Tilt Angle	4° to 84°
Housing Color	Black
LCD Display	15" 1024 x 768 pixel, 16.7M colors 250 nit
Touch Screen	5-Wire Resistive, 35+ millions taps per location
<b>ELECTRICAL</b>	Ext. 65W 19V 3.4 A
<b>ENVIRONMENTAL</b>	
Temperature	41°F to 95°F operating
Humidity	20% - 80% non-condensing
<b>WARRANTY</b>	3-Year includes 2-Day Advance Exchange Service
<b>CERTIFICATIONS</b>	FCC, CE, LVD, RoHs
<b>OPERATING SYSTEM</b>	None/ Win 2000/XP/VISTA/Linux/ Windows 7/Win 8



<b>ACCESSORIES</b>	
ION-MR2	3-track MSR with USB interface
ION-RD2-VFD	Integrated customer display
ION-RD2-LCD8	Integrated rear display, 8.4" LCD, VGA
ION-XZ2-M75	Universal VESA mount for all POS terminals and monitors

<b>WARRANTY EXTENSIONS</b>	
ZWE-TPC	2-Year Warranty Extension
ZOE-TPC3	3-Year Overnight Extension
ZOE-TPC5	5-Year Overnight Extension