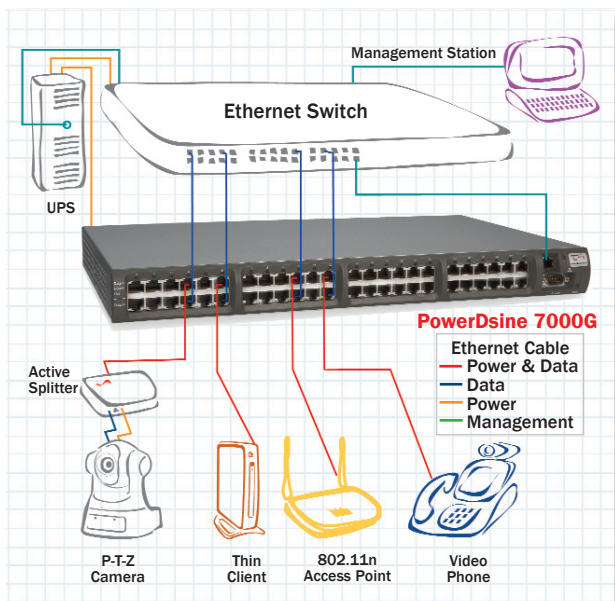


PowerDsine® 7000G High Power Family

32W per Port Gigabit Midspan for High Power & 802.3at Pre-standard Terminals



Overview

The PowerDsine 7000G Family is designed specifically to power PTZ and Dome network cameras, 802.11n Access Points, Thin Clients, Video Phones and other Ethernet end terminals that require high power. The PowerDsine 7000G Family includes 6, 12, and 24-port models and is fully backward compatible and safe to use with any 802.3af terminal such as VoIP Phones, IP Cameras and WLAN Access Points. With PowerDsine PoE Midspans, data and power flow smoothly and safely over a single LAN cable with no interference, leaving your network infrastructure completely unaltered.

For secure remote management, PD-7000G models include PowerView Pro management software.

PD-7000G Features

- High Power over 2-pairs – 32W per port
- 10/100/1000BaseT Gigabit Support
- Ideal for most 802.11n Access Points, WiMAX CPEs, PTZ IP Cameras, Video Phones, Access Control Units, POS Terminals
- Safe and reliable with existing Ethernet infrastructure
- Scalable 6, 12 & 24-port models
- PoE pre-standard IEEE 802.3at
- PowerView Pro secure, remote SNMPv3 Web-based management included



Specifications

No. of Ports	6/12/24
Pass Through Data Rates	10/100/1000 Mbps
Power over Ethernet Output	Pin Assignment and Polarity: 4/5 (+), 7/8 (-) Output Power Voltage: 55Vdc Power Per Port: 32W Typ. Aggregate Power: 420Watts
Input Power Requirements	AC Input Voltage: 100 to 240 Vac AC Input Current: 5.5A @ 110 Vac; 2A @ 220 Vac AC Frequency: 50 to 60 Hz
Dimensions	438 mm x 272 mm x 44 mm 17.3 in. x 10.8 in. x 1.75 in or 1U
Weight	14.3 lbs (6.5 kg)
Management	PowerView Pro included
Indicators	System Indicator: AC Power (Green) User Indicator: Channel Power (Green/Orange)
Connectors	PoE ports and management port: Shielded RJ-45, EIA 568A and 568B Console Port: DB-9, Male
Environmental Conditions	Operating Ambient Temperature: 32° to 104°F (0 to 40°C) Operating Humidity: 10% to 90%, Non-condensing Storage Temperature: -4° to 158°F (-20° to 70°C) Storage Humidity: 5% to 95%, Non-condensing Operating Altitude: -1000 to 10,000 ft. (-304.8 to 3048 m)
Warranty	Limited lifetime (see Terms and Conditions)
Regulatory Compliance	RoHS Compliant, VCCI, CE, C-Tick
Electromagnetic Emission & Immunity	FCC Part 15, Class B with FTP cabling EN 55022 Class B (Emissions) EN 55024 (Immunity), VCCI
Safety Approvals	UL/cUL Per EN 60950 GS Mark Per EN 60950



Microsemi

www.microsemi.com

Ordering Information

Part Number	Name	Description
PD-7006G/AC/M	PowerDsine 7006G	6-port
PD-7012G/AC/M	PowerDsine 7012G	12-port
PD-7024G/AC/M	PowerDsine 7024G	24-port
Accessory	Description	
PD-AS-701	High Power Splitter	
PD-AS-601	Active splitter for legacy applications	
PD-PS-401	Passive splitter for legacy Cisco applications	