

# A776

## Two-Color Hybrid Receipt/Validation Printer with Slip Station, Integrated MICR, and Upgradable Imaging Module

### GREAT Things Come in Small Packages:

- Low cost with smallest hybrid footprint
- FAST monochrome or ColorPOS® technology two-color thermal receipt
- Drop validation impact print station with superior paper handling
- Built in MICR reader
- Imaging Module option available
- Multiple communication interfaces

### The Next Evolution in Hybrid Retail Printers

From the company that brought you the first thermal/impact hybrid transaction printer with integrated MICR, and the first Clamshell® drop-in paper loading design. TPG announces another first – the model A776 offers the market the first fully featured two-color/monochrome hybrid printer with a footprint under 72.8 sq. in.

### Performance in a Small Package!

TPG's A776 printer has been designed for maximum flexibility, performance, reliability, and lowest cost. It opens a new world of possibilities with its lightning fast (180 mm/s) thermal receipt station. The A776 printer is capable of printing watermarks, logos, coupons and other "attention grabbing" features on monochrome or two-color thermal paper. Using TPG's innovative and industry leading ColorPOS technology and ReceiptEZ Receipt Marketing Software, the A776 is sure to deliver your message every time.

### Premier Technology

Still need to print on forms and validate checks? The A776 impact slip station allows drop-in validation with top, front or side insertion of checks or other forms. It also reads MICR information from checks, general ledger tickets, etc.

But, it doesn't end there. The A776 offers a paper low indicator and exhaust sensor, a positive slip position sensor and indicator, multiple resident emulations, and it is available with several popular communications interfaces, including USB. The A776's ribbon cassette has been designed for a snap-on/snap-off, "clean fingers" installation and can be used with any new or recycled bond paper.



If your business could use a dash of customer participation and retention, it's time you added a splash of color to your receipts.



# A776

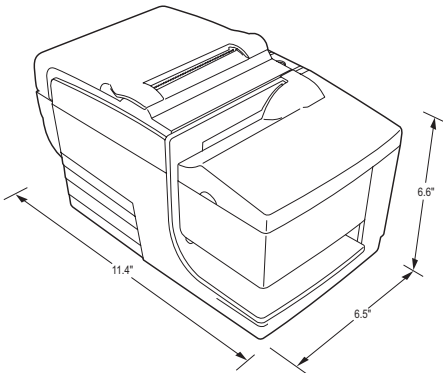
## Two-Color Hybrid Receipt/Validation Printer with Slip Station, Integrated MICR, and Upgradable Imaging Module

### Simply Reliable

No preventative maintenance is required during regular work cycles. The A776's industry leading design is backed by a 2 year warranty.

### Imaging Capability

TPG's A776 two-color/monochrome hybrid thermal/impact receipt printer is designed with imaging in mind. The innovative imaging module is designed as an upgrade kit. You can add imaging capability anytime you like.



[www.colorpos.com](http://www.colorpos.com)

### Technical Specifications

|                                    | Receipt Station   | Slip Station         |
|------------------------------------|---|----------------------|
| Print Method                       | Direct Thermal, 203 DPI   | 9-Pin Impact         |
| Character Cell Size                | 13 X 24, 10 X 24  | 7 X 7, 12 X 7, 5 X 9 |
| CPI                                | 15, 6, 20.3   | 13.9 & 16.8          |
| Print Columns                      | 44 & 56   | 42 & 51              |
| Print Line Width                   | 2.8 in. (72 mm)   | 3.02 in. (76.8 mm)   |
| Character Sets                     | Page 437, 737, 850, 852, 858 (with Eurosymbol), 860, 862, 863, 865, 866, and 1252. Contact your TPG representative for expanded character sets.   |                      |
| Bar Codes                          | UPC-A, UPC-E, Code 39, Code 93, Code 128, JAN8 and JAN13 (EAN), Interleaved 2 of 5, Codabar, PDF 417 (receipt station only)   |                      |
| Printing Speed                     | Monochrome 53 LPS<br>(180 mm/sec)<br>Color 29.6 LPS (100 mm/sec)  | 4.8 LPS (16 mm/sec)  |
| Auto Cutter                        | Partial Cut   |                      |
| Emulations Available               | Application compatible escape commands, TPG A756/A758, ColorPOS   |                      |
| Data Buffer                        | 8K  |                      |
| User Memory                        | 2 to 12 MB: shared for graphics, logos, user defined characters and user data storage   |                      |
| Communication                      | Board Architecture supports:<br>Dual 9-Pin RS-232/USB, 25-pin RS-232, Ethernet, USB, and Powered USB  |                      |
| <b>MICR Reader:</b>                |   |                      |
| Character sets/fonts               | E-13B and CMC-7, auto discriminate (Integrated in slip station)   |                      |
| Check Read Rate                    | 99% minimum   |                      |
| Parsing Formats                    | E-13B only. Programmable to any format  |                      |
| <b>Thermal Paper Requirements:</b> |   |                      |
| Paper Type                         | Direct Thermal, POS Grade(s), special paper for color printing  |                      |
| Paper Roll (W X Dia.)              | 3.15 in. X 3.27 in. (80 mm X 83 mm)   |                      |
| <b>Impact Slip Forms:</b>          |   |                      |
| Size                               | 2.75 in. X 5.00 in. (69.85 mm x 127.00 mm) minimum front & side   |                      |
| Max. Form Length                   | 11.00 in. (279.4 mm)  |                      |
| Number of Plies                    | 1 - 4 ply multipart   |                      |
| Paper Thickness                    | 0.014 in. maximum (0.35 mm)   |                      |
| Power                              | 24 VDC  |                      |
| Certifications                     | EMC emissions: EN55022:1998 Class B ITE emission requirements (EU); FCC 47 CFR Part 15, Class B emissions requirements (USA), VCCI Class B ITE emissions requirements (Japan); AS/NZS 3548:2002/CISPR22 Class B ITE emission requirements (Australia); EMC Immunity: EN55024:1998/A1:2001 Information technology equipment (EU) |                      |
| Reliability                        | Thermal Print Mechanism - 200 KM paper (59 M lines) monochrome, 200 KM two-color (53 M lines), Auto Knife Cutter - 1.5 M cuts, Impact Print Mechanism - 15 M lines, Impact Printhead - 200 M characters, and MICR reader - 200,000 Reads  |                      |
| Dimensions (W X D X H)             | 6.5 in. X 11.4 in. X 6.6 in. (165.10 mm X 289.56 mm X 167.64 mm)  |                      |
| Weight                             | Approx. 8 lbs., depending on options  |                      |
| Options                            | MICR Reader, Expanded flash memory  |                      |
| Printer Drivers                    | OLE POS for Windows compatible and Windows/Windows NT and Windows 2000, Java POS, USB, and Powered USB  |                      |

\* TPG's native mode



**Transaction Printer Group, Inc. – Headquarters**  
25 Tri-State International, Suite 200, Lincolnshire, IL 60069  
Tel: 847 383 7900 Fax: 847 383 7949 [www.TPGprinters.com](http://www.TPGprinters.com)

**USA – 800 732 8950**  
**Maxatec – 44 0 161 942 7850**

© 2004 Transaction Printer Group, Inc. a subsidiary of ATSI Holdings, Inc. All Rights Reserved. Patents pending. All trademarks or registered trademarks are the property of their respective owners. Printed in U.S.A. Product specifications are subject to change in order for TPG to continue to meet the needs of the market.