

uSign™ 300

Signature Capture Pad

Signature Capture

The ID TECH uSign 300 is an electronic signature capture device with a color LCD display. Users can view their signatures in real-time during the signing process. The graphic display provides interactive text and pen-tap selection allowing customers to select and navigate transactions with the stylus. In addition, the color LCD can display company logos, promotions and custom graphics.

Speed and Efficiency

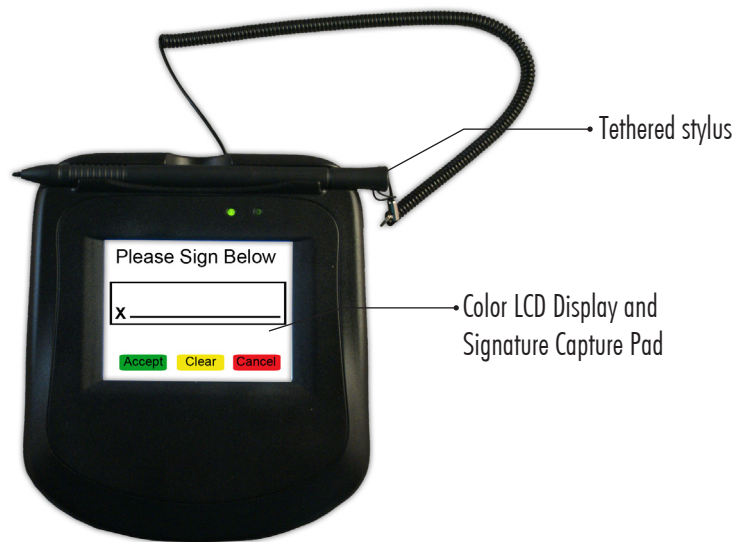
The use of electronically capturing signatures is a common practice to authorize payments in Point of Sale (POS) applications. Electronic signatures reduce transaction time, eliminate sorting and sending paper, provide convenient electronic storage and transmission, and give legal accountability (non-repudiation) for POS transactions. The POS applications include retail, hospitality, self-service, and quick-service restaurants.

A Convenient Package

The LCD and touch sensitive screen are housed in a rugged plastic case. The case provides a tethered non-electronic stylus. A metal mounting plate secures the uSign™ 300 to a desk or counter top when required. Also, a palm rest area below the signature panel provides support to make the signing process easy.

Features and Benefits:

- Electronic signature capture with buffered signature capability
- Replaceable tethered, passive-type stylus
- Resistive touch pad
- 3.5" QVGA Color LCD
- Sampling rate up to 118 dots per second
- Touch pad resolution 1024 dots per inch
- Real time signature capture with 5:1 compression rate
- Raw data output available
- Firmware filters spikes and electronic noise
- Real-time graphics display of signature during capture
- Host control graphic and text display
- Calibration mode and functions
- Command and response driven operations through an API
- Demo application runs in Windows environments



uSign™ 300

Specifications IDUB-XXXXXX

Electrical

Power Requirements:	5VDC at 170mA 120V AC adapter or USB host terminal port
Interfaces:	RS232, Baud rate from 1200 to 115200 RS232, USB-HID

Environmental

Operating Temperature:	32° F to 131° F (0° C to 55° C)
Storage Temperature:	-22° F to 149° F (-30° C to 65° C)
Humidity:	10% to 95%, non-condensing

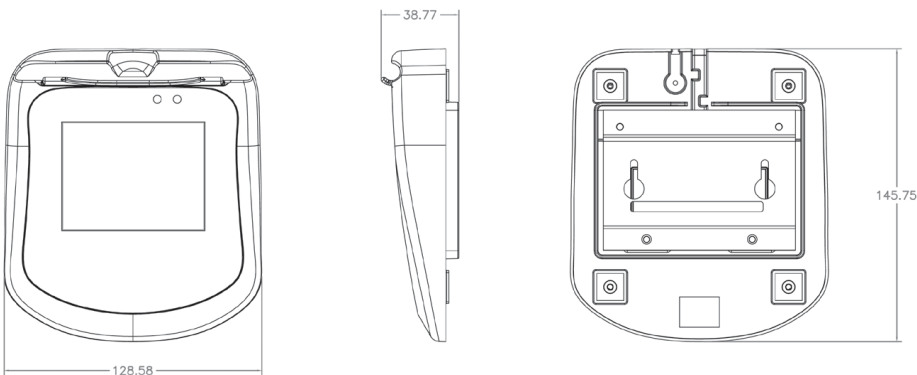
Reliability

MTBF:	200,000 POH based on Bellcore standard
ESD Immunity:	4KV to 8KV min, after rest Meets or exceeds IEC 1000-4-2
Approvals:	FCC Class B, CE, RoHS
Warranty:	One year, parts and labor

Mechanical

Dimension (L)x(W)x(H):	5.75 inches (14.6 cm) x 5.1 inches (13 cm) x 1.57 inches (4 cm)
Signature Area:	3.5" QVGA Color LCD
Weight:	0.42 kg (0.93 lb)
Touchpad:	Resistive
Sampling Rate:	Up to 118 samples per second
Touchpad Resolution:	1024 DPI
Display Resolution:	LCD Resolution: 320x240 pixels
Dual Color LED:	Signature Pad or Host Controlled

Footprint:



United States Sales Office

Corporate Headquarters

10721 Walker Street
Cypress, CA 90630
Phone: (714) 761-6368
Toll Free: (800) 984-1010
Fax: (714) 761-8880
sales@idtechproducts.com

International Sales Offices

Asia

+866-3-496-6988 (Taiwan)
asia@idtechproducts.com.tw

Canada

+450-465-5261
robertop@idtechproducts.com

South America

+55-11-3079-2255
internationalsales@idtechproducts.com

Europe

Germany & United Kingdom
emea@idtechproducts.com

ISO 9001 Certified



Value through Innovation

www.idtechproducts.com